

SECTION A

***STILE & RAIL
CUSTOM ROUTING***

STILE & RAIL - CUSTOM ROUTING

Application & Pricing

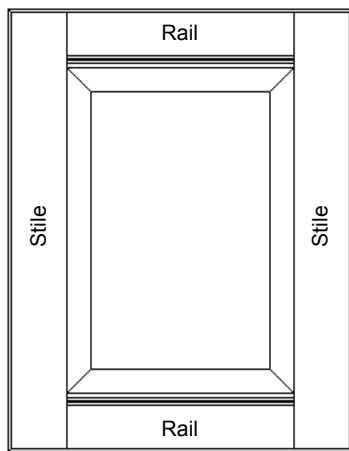
Stile & Rail Custom Routing (**SRCR**) is available in several different styles and applications.

Ordering: When ordering please indicate the **SRCR** style and either the **R/O** or **S&R** pattern.

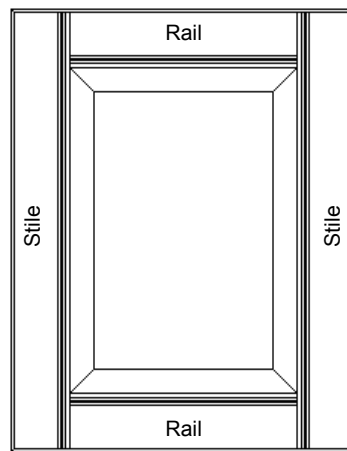
SRCR Pricing:

R/O (Rails Only): Add \$2.95 to the square foot price of the door.

S&R (Stile & Rails): Add \$5.75 to the square foot price of the door.



R/O (Rails Only)
Stiles must be the SR 100



S&R (Stiles & Rails)
Stiles must be the SR 100

SRCR- 1

3/16" Radius x 5/8" Wide



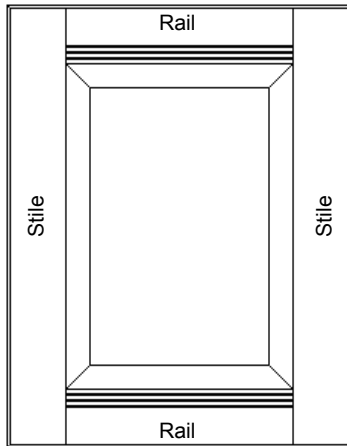
SRCR- 2

1/8" Deep V-Groove

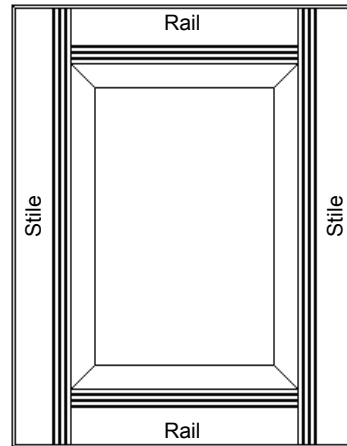


A-I

STILE & RAIL - CUSTOM ROUTING



R/O (Rails Only)
Stiles must be the SR 100



S&R (Stiles & Rails)
Stiles must be the SR 100

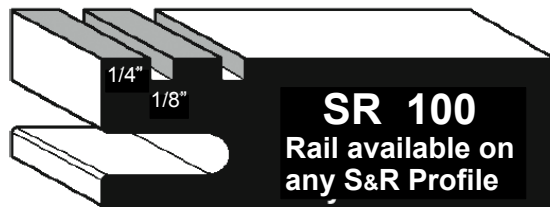
SRCR- 3

1/4" x 1/8" Triple Kerf



SRCR- 4

1/4" x 1/8" Double Kerf



SRCR- 5

1/4" x 1/8" Single Kerf



POINT TO POINT - CUSTOM ROUTING

Application & Pricing

Point to Point Custom Routing (PTCR) is available only on with the SR-100.

Ordering: When ordering please indicate the PTCR style and either the R/O or S&R pattern.

PTCR Pricing:

S/O (Stiles Only): Add \$4.00 to the square foot price of the door.

S&R (Stile & Rails): Add \$7.50 to the square foot price of the door.

