

SECTION G

***RAISED PANEL
DRAWER FRONTS***

RAISED PANEL DRAWER FRONTS

Application & Pricing

Applied Mullion Doors

Raised panel drawer fronts are limited to a minimum height of 6".

To achieve this, we reduce the width of the top and bottom rail to 1-1/2" and reduce the raised panel reveal to a 1" reveal.

At a minimum height of 6" this will leave a 1" width on the flat of the center panel.

Below is a diagram displaying these measurements on a drawer front with a minimum height of 6".

The exception to this rule is when any RP-40 Series center panel is used (a 3/8" or 1/2" solid flat panel).

The minimum height of an RP-40 Series drawer front is 4-1/2".

Styles and Height Guidelines:

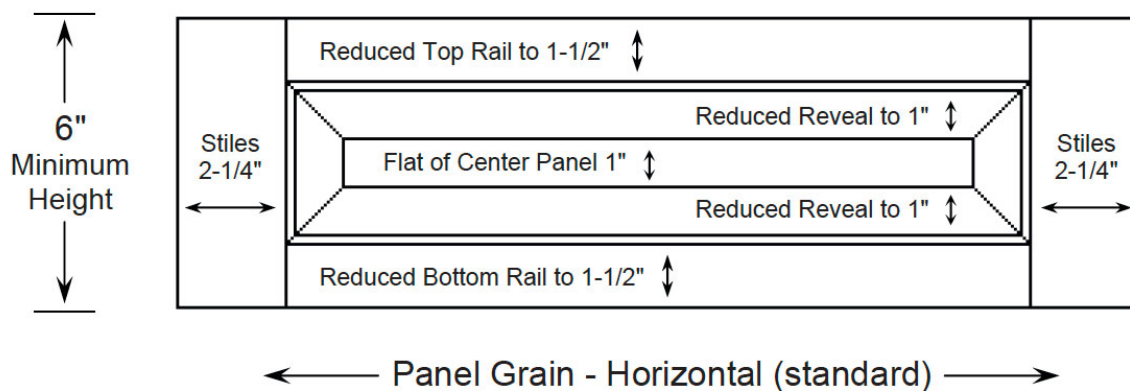
Style 900 Minimum height of 6" up to 7-15/16" (reduced top & bottom rails, reduced panel reveal).

Style 9000 8" and above in height (all standard sized parts).

All raised panel drawer fronts have a 1 square foot minimum charge.

Style 900 Raised Panel Drawer Fronts

Style 900



Reduced Top & Bottom Rails - 1" Raised Panel Reveal

The **Style 900** has a minimum height of 6".

At 8" in height, the parts all return to standard sizes and is now a **Style 9000**.

RAISED & VENEER PANEL DRAWER FRONTS

All stile & rail drawer fronts come standard with Horizontal Grain.

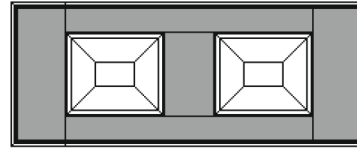
Grain direction can be changed to Vertical Grain at no extra charge by noting it in either the Custom Details box or the Specifications box on the order form.

900 Series - Reduced Parts



Style 900

Style 900
 Raised Panel
 Reduced Rails 1-1/2"
 Reduced Reveal 1"
 Min. Size: 8 x 6
 Price Column: 27



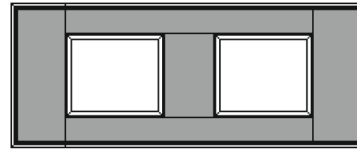
Style 901

Style 901
 Raised Panel
 Reduced Rails 1-1/2"
 Reduced Reveal 1"
 Min. Size: 13 x 6
 Price Column: 28



Style 910

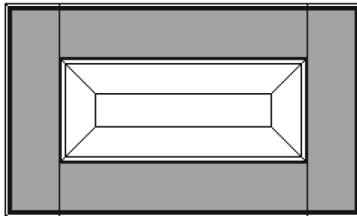
Style 910
 1/4" Veneer Panel
 Reduced Rails 1-1/2"
 Reduced Reveal 1"
 Min. Size: 6 x 4-1/2
 Price Column: 24



Style 911

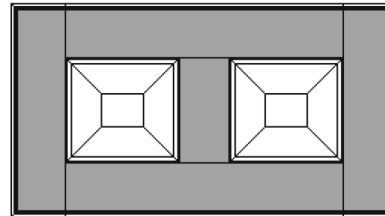
Style 911
 1/4" Veneer Panel
 Reduced Rails 1-1/2"
 Reduced Reveal 1"
 Min. Size: 10 x 4-1/2
 Price Column: 25

9000 Series - Standard Parts



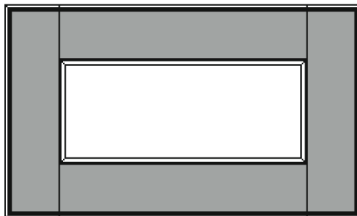
Style 9000

Style 9000
 Raised Panel
 Standard Parts
 Min. Size: 8 x 8
 Price Column: 27



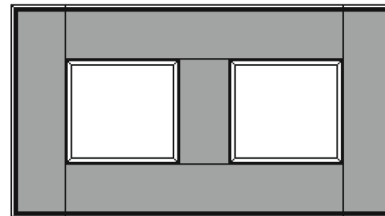
Style 9010

Style 9010
 Raised Panel
 Standard Parts
 Min. Size: 14 x 8
 Price Column: 28



Style 9100

Style 9100
 Veneer Panel
 Standard Parts
 Min. Size: 7 x 6-1/2
 Price Column: 24



Style 9100

Style 9100
 Veneer Panel
 Standard Parts
 Min. Size: 10 x 6-1/2
 Price Column: 25

SLAB DRAWER FRONTS

Application & Pricing

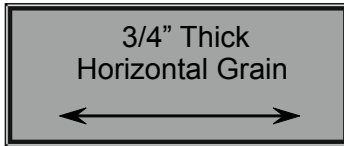
All slab drawer fronts have a 1 square foot minimum charge.
We offer slab drawer fronts in 3 thicknesses: 3/4", 1" & 1-1/8"

Raised Panel Edge Profile: (RPE) add \$1.50 for each drawer front.

Combination Edge Profile: (CMB) add \$2.50 for each drawer front.

A Combination Edge Profile (CMB) is a combination of both a RPE edge and a standard edge profile.
When ordering a Combination Edge, list it as shown in the following example: **RPE-21/E-5**

3/4" Thick Slab Drawer Fronts

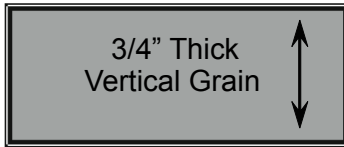


Style 90

Style 90
Standard Edge
Price Column: 26

Style 90-RPE
Raised Panel Edge
Price Column: 26
Add \$1.50 Each

Style 90-CMB
Combination Edge
Price Column: 26
Add \$2.50 Each



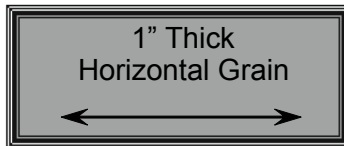
Style 90VG

Style 90VG
Standard Edge
Price Column: 26

Style 90VG-RPE
Raised Panel Edge
Price Column: 26
Add \$1.50 Each

Style 90VG-CMB
Combination Edge
Price Column: 26
Add \$2.50 Each

1" Thick Slab Drawer Fronts



Style 91

Style 91
Standard Edge
Price Column: 29

Style 91-RPE
Raised Panel Edge
Price Column: 29
Add \$1.50 Each

Style 91-CMB
Combination Edge
Price Column: 29
Add \$2.50 Each



Style 91VG

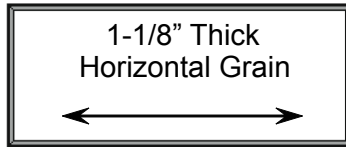
Style 91VG
Standard Edge
Price Column: 29

Style 91VG-RPE
Raised Panel Edge
Price Column: 29
Add \$1.50 Each

Style 91VG-CMB
Combination Edge
Price Column: 29
Add \$2.50 Each

SLAB DRAWER FRONTS

1-1/8" Thick Slab Drawer Fronts



Style 99

Style 99

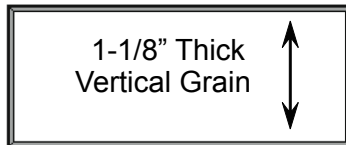
Standard Edge
Price Column: 29

Style 99-RPE

Raised Panel Edge
Price Column: 29
Add \$1.50 Each

Style 99-CMB

Combination Edge
Price Column: 29
Add \$2.50 Each



Style 99VG

Style 99VG

Standard Edge
Price Column: 29

Style 99VG-RPE

Raised Panel Edge
Price Column: 29
Add \$1.50 Each

Style 99VG-CMB

Combination Edge
Price Column: 29
Add \$2.50 Each

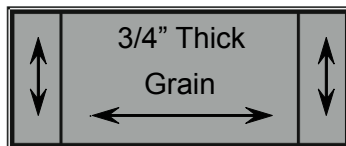
Grain Matched Slab Drawer Fronts



Slab Drawer Fronts can be Grain Matched (grain sequenced) in runs of up to 10 feet.
When ordering, please provide detailed drawings of your book-matched runs.

Grain Matched Grain: Add 30%

Slab Drawer Front With 2 Attached Stiles



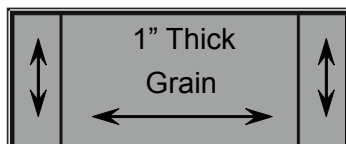
Style 902S

Style 902S

3/4" Thick
Standard Edge Only
Price Column: 27

The standard attached stile width on the 902S is 2-1/4" wide.

The width of the attached stiles can be specified.



Style 912S

Style 912S

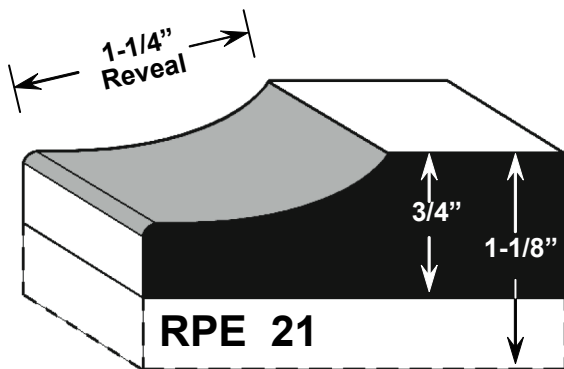
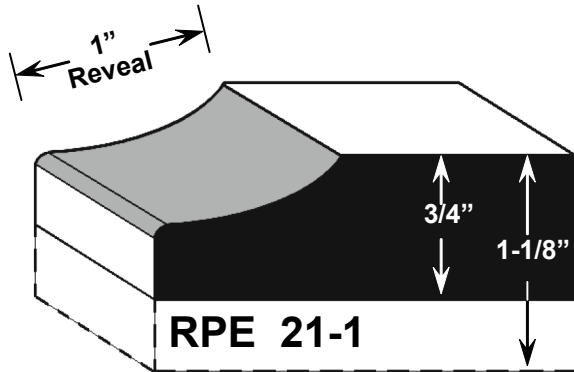
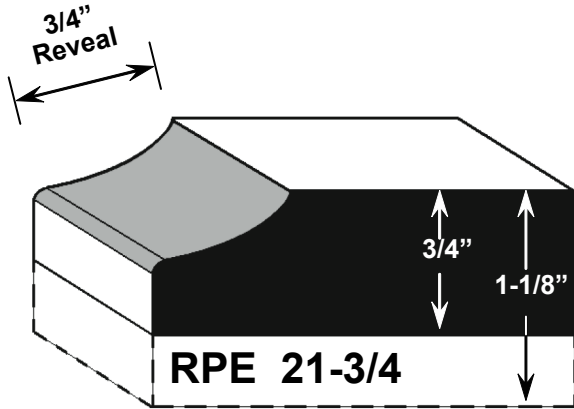
1" Thick
Standard Edge Only
Price Column: 27

The 912S is not available in a 1-1/8" thickness.

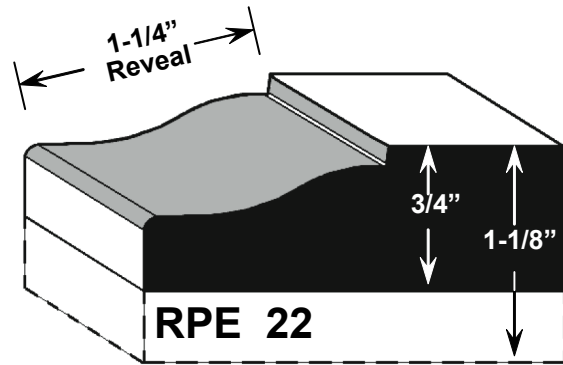
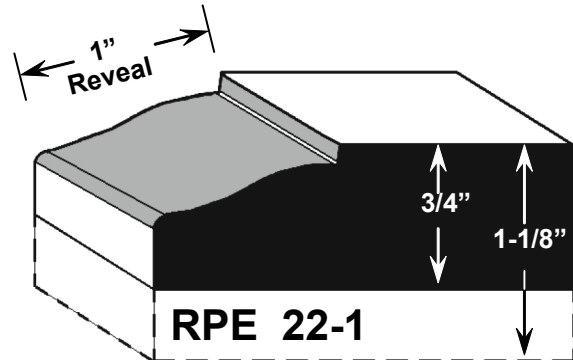
Add 30%

RAISED PANEL EDGES - DRAWER FRONTS

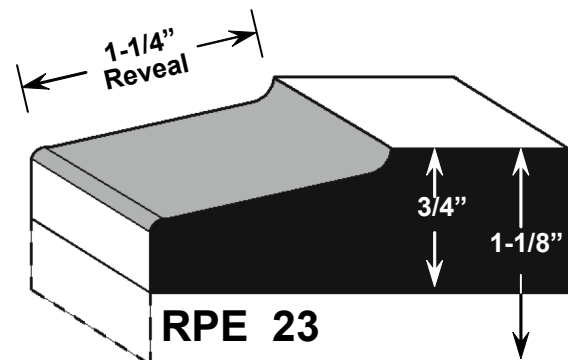
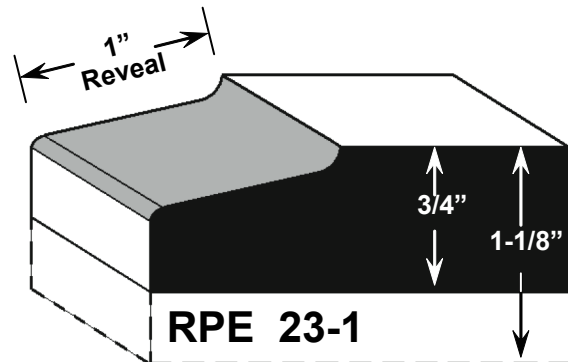
RPE 21 Series



RPE 22 Series

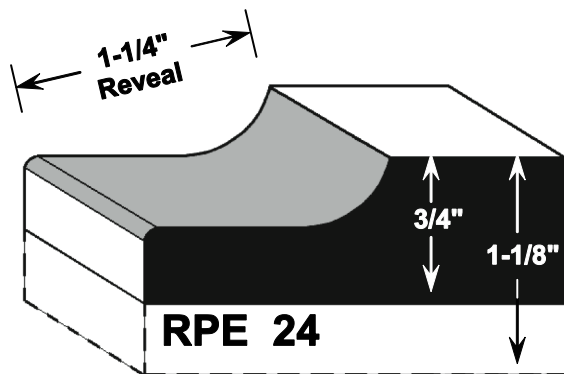
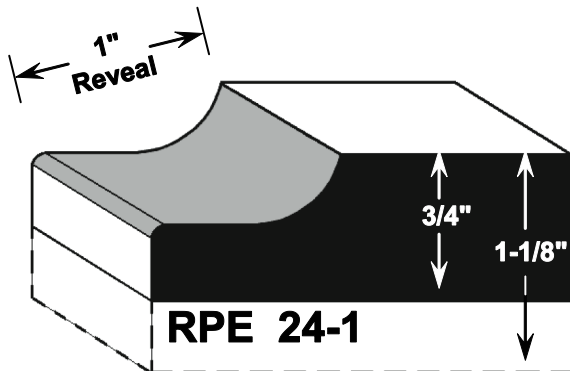
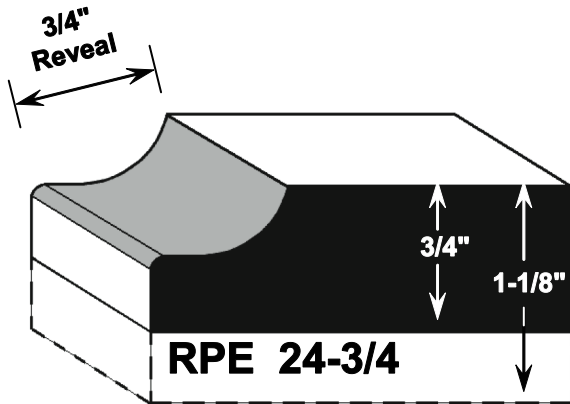
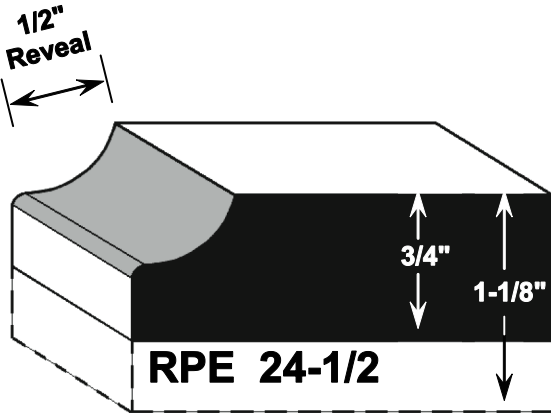


RPE 23 Series

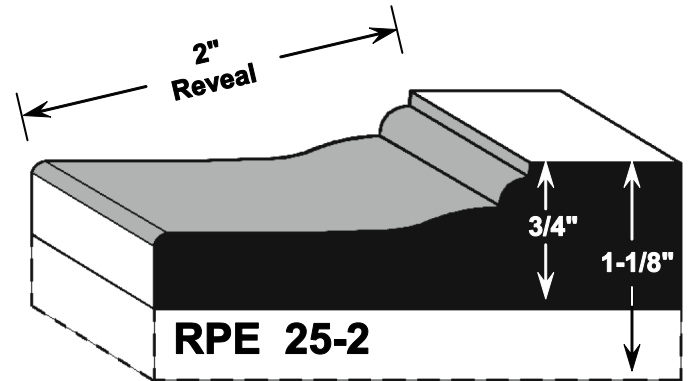
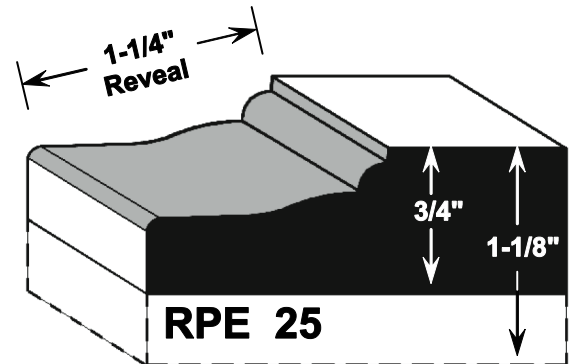
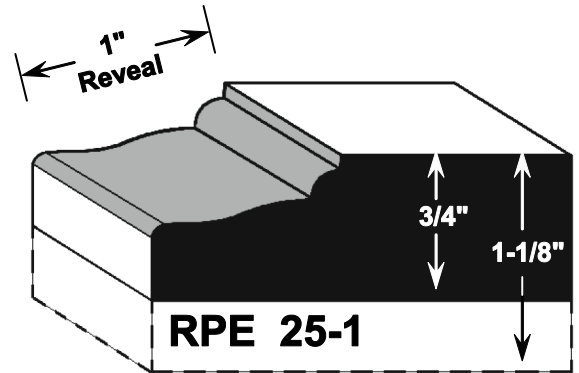


RAISED PANEL EDGES - DRAWER FRONTS

RPE 24 Series



RPE 25 Series



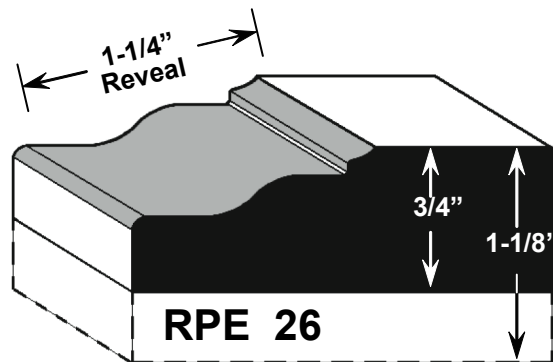
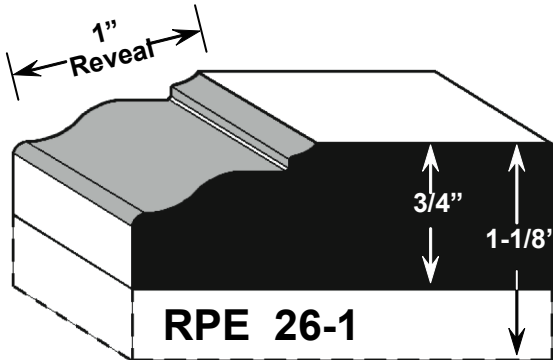
~ Also Available ~

RPE 25-1.5 1-1/2" Reveal

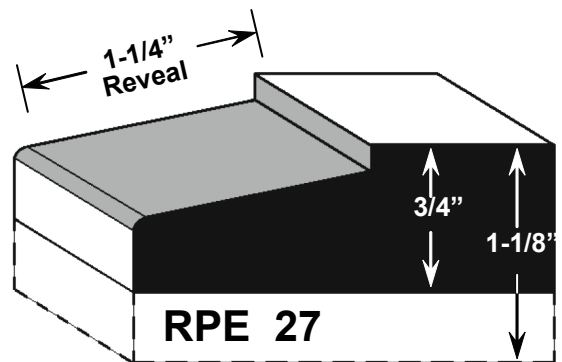
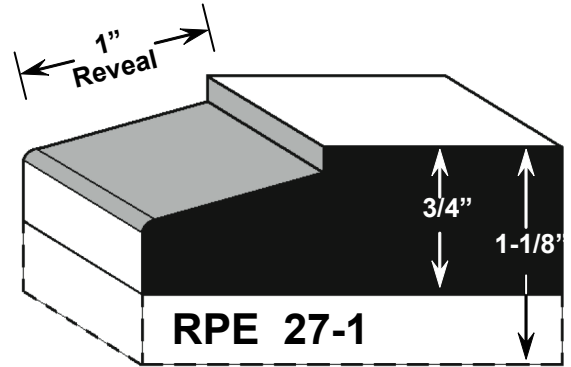
RPE 25-1.75 1-3/4" Reveal

RAISED PANEL EDGES - DRAWER FRONTS

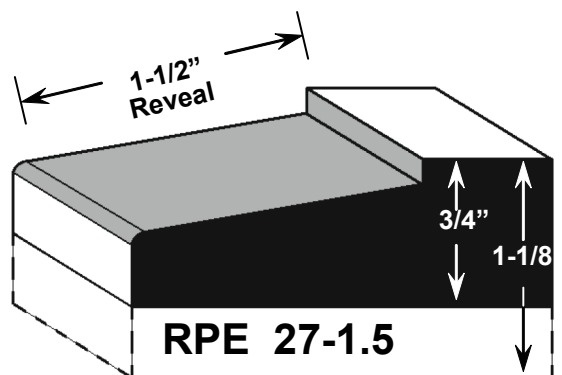
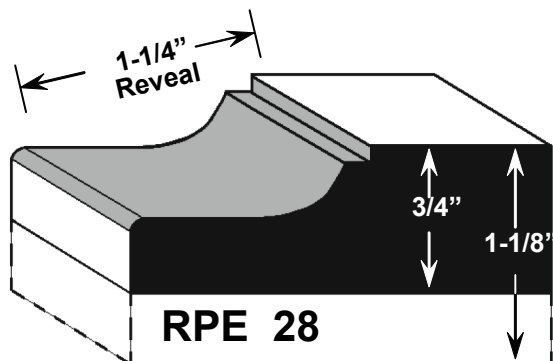
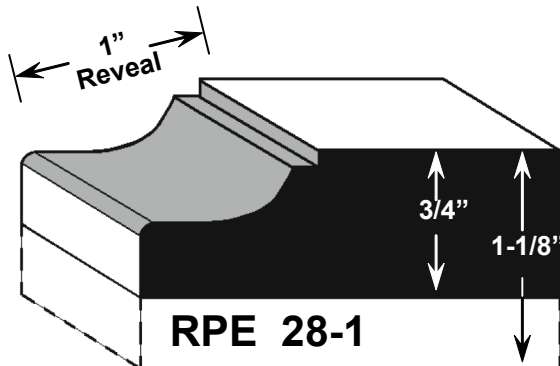
RPE 26 Series



RPE 27 Series



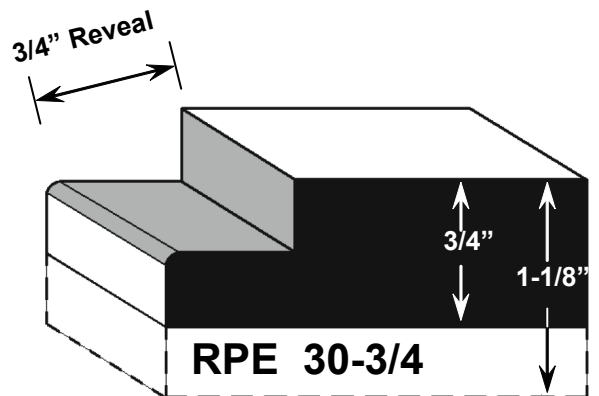
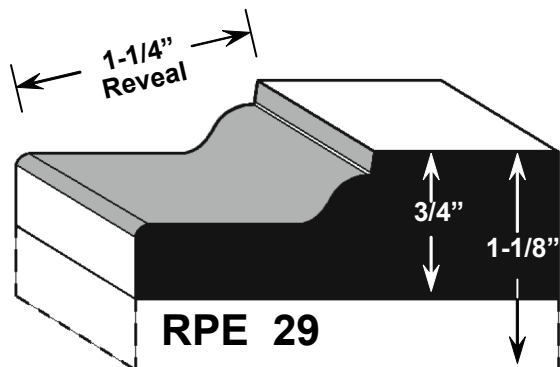
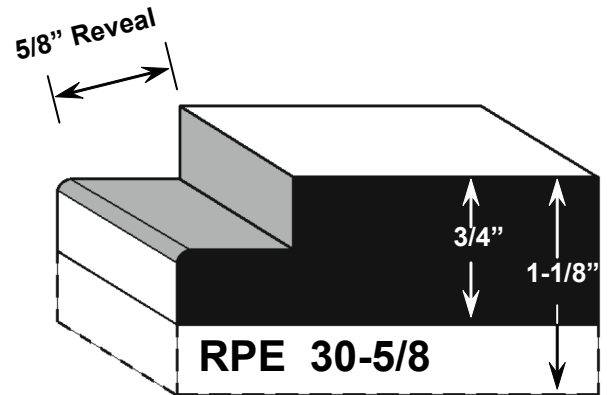
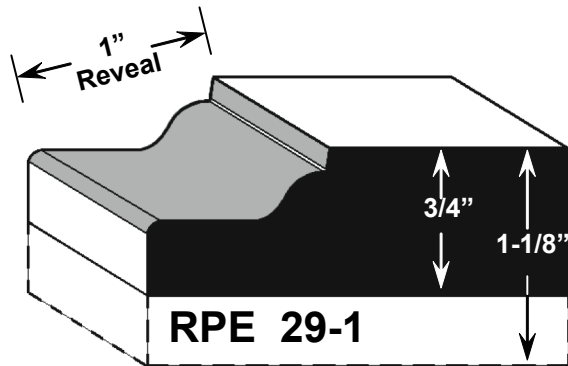
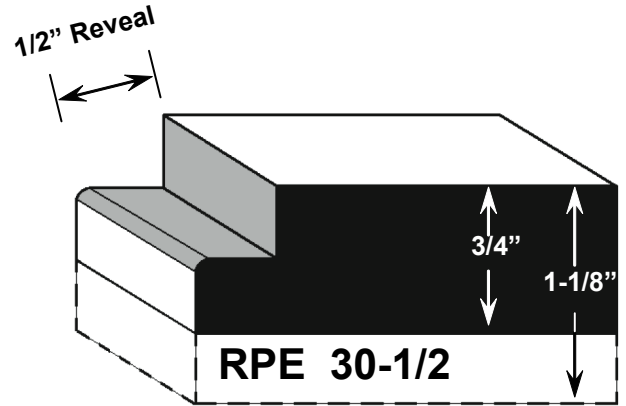
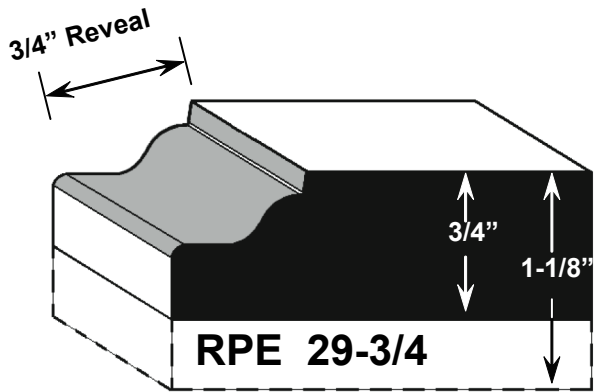
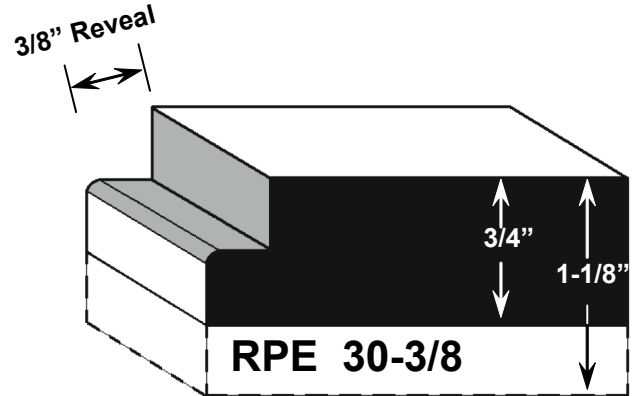
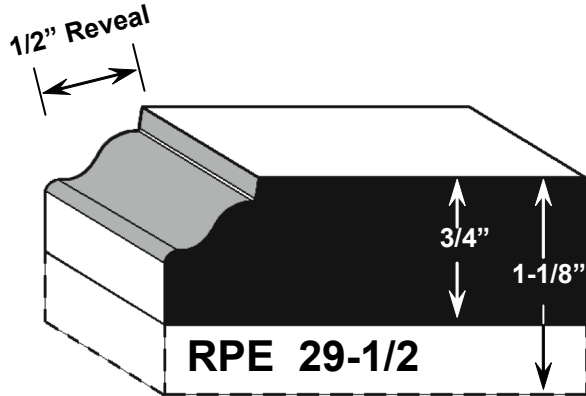
RPE 28 Series



RAISED PANEL EDGES - DRAWER FRONTS

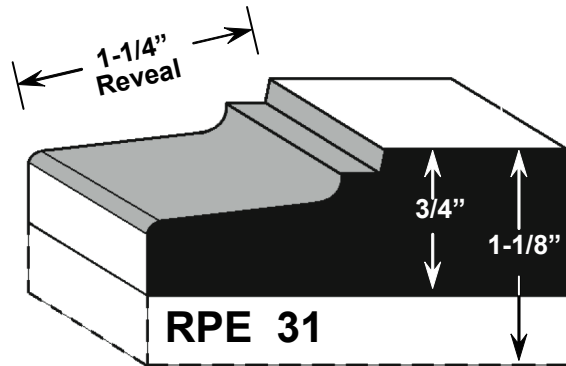
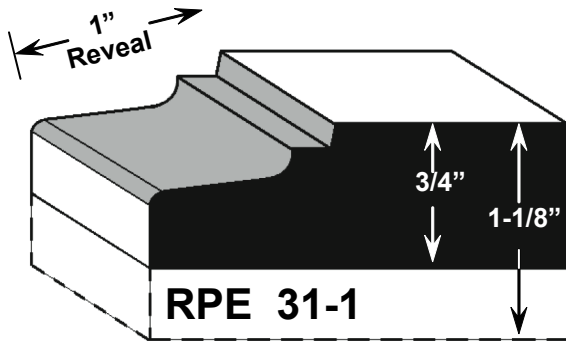
RPE 29 Series

RPE 30 Series

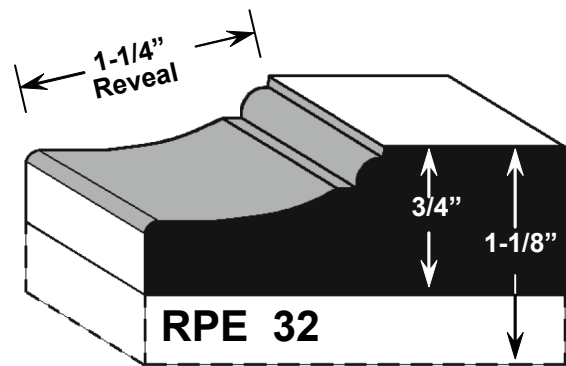
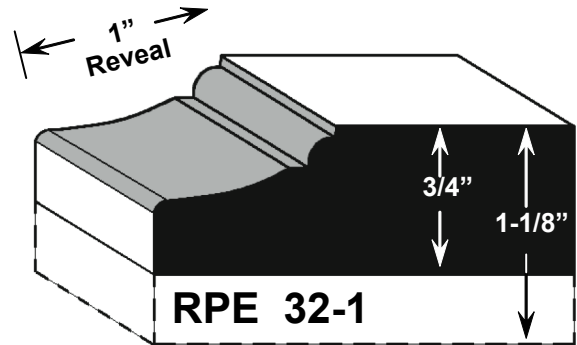


RAISED PANEL EDGES - DRAWER FRONTS

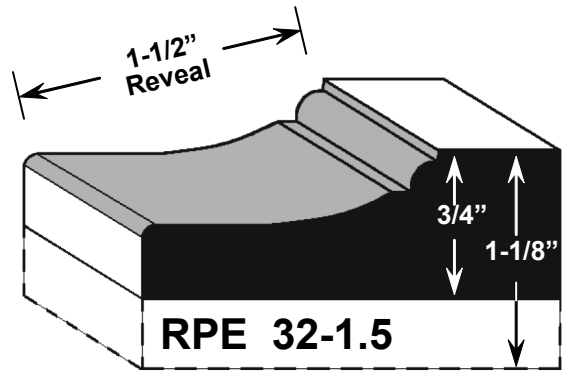
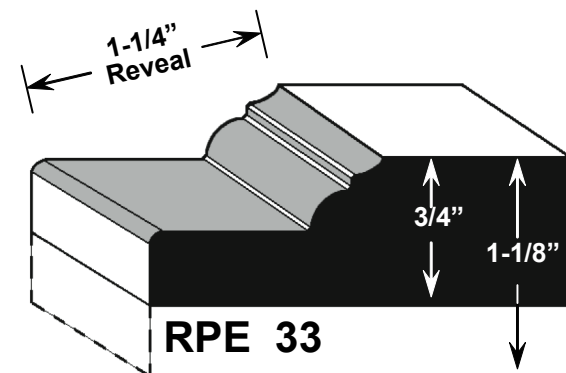
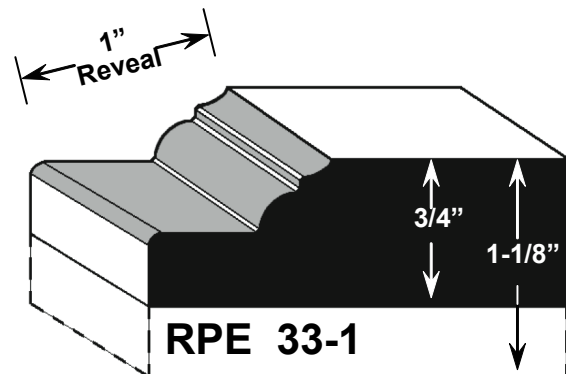
RPE 31 Series



RPE 32 Series

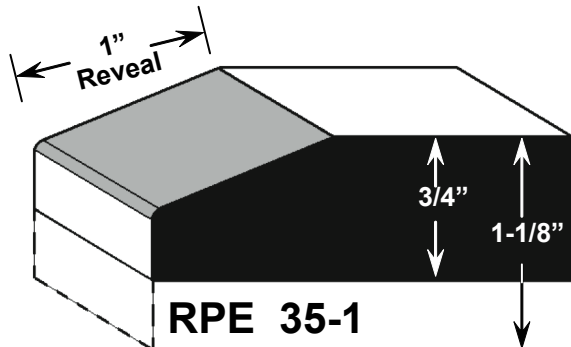


RPE 33 Series



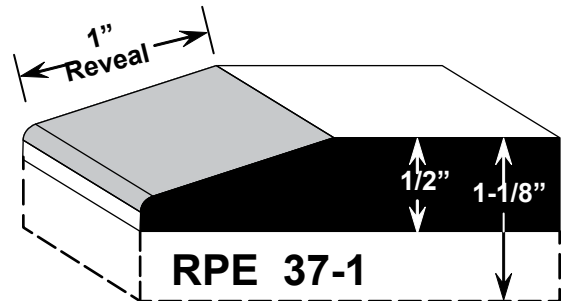
RAISED PANEL EDGES - DRAWER FRONTS

RPE 35 Series



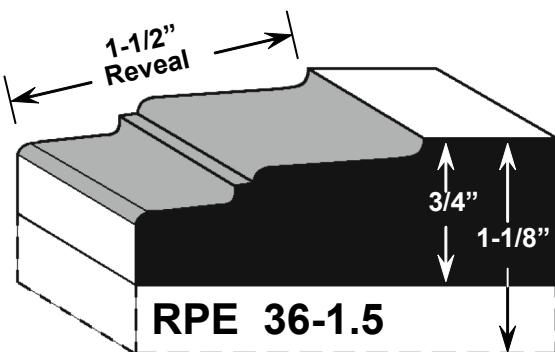
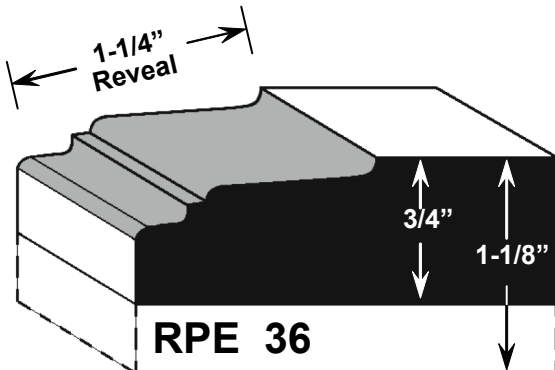
Available only in a 1" reveal

RPE 37 Series

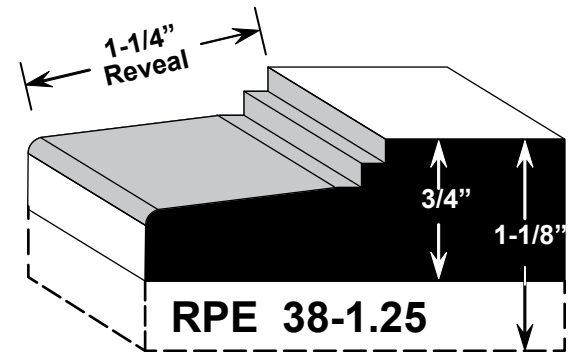
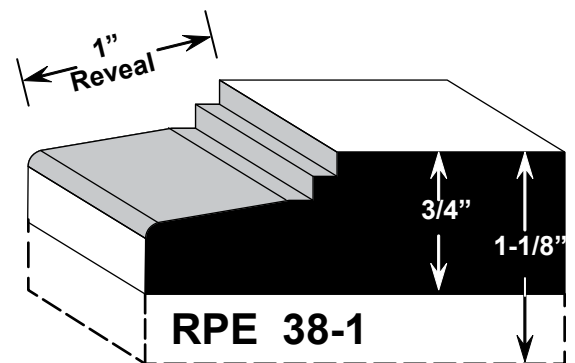


Available only in a 1" reveal

RPE 36 Series

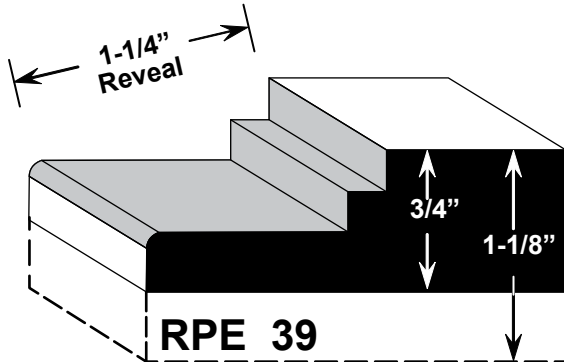


RPE 38 Series



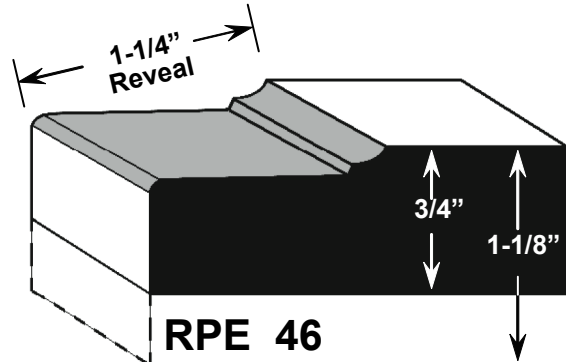
RAISED PANEL EDGES - DRAWER FRONTS

RPE 39 Series



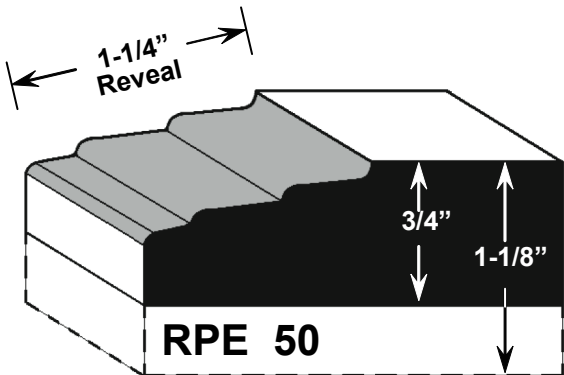
Also Available in any reveal up to 1.25"

RPE 46 Series



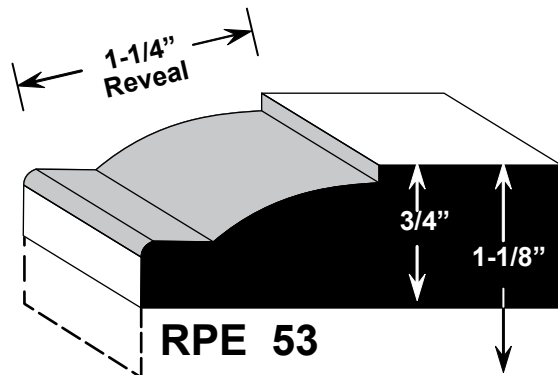
Also Available: 1" Reveal RPE 46-1

RPE 50 Series



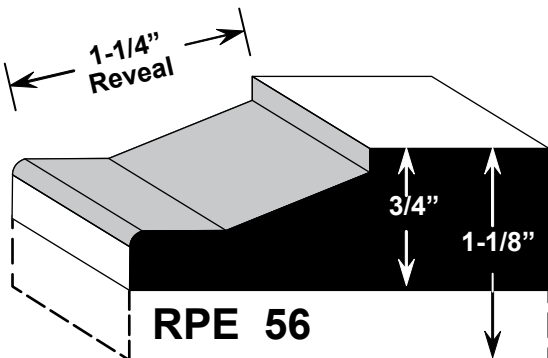
Also Available: 1-1/2" Reveal RPE 50-1.5

RPE 53 Series



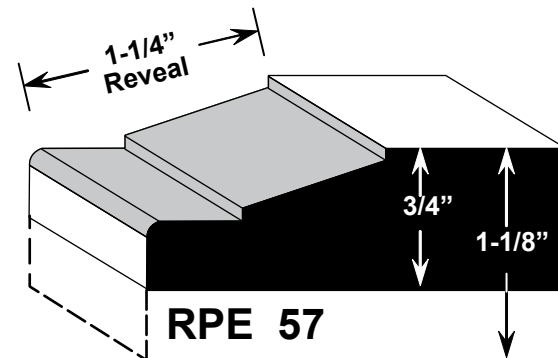
Also Available: 1" Reveal RPE 53-1

RPE 56 Series



Also Available: 1" & 1-1/2" Reveal
RPE 56-1 & RPE 56-1.5

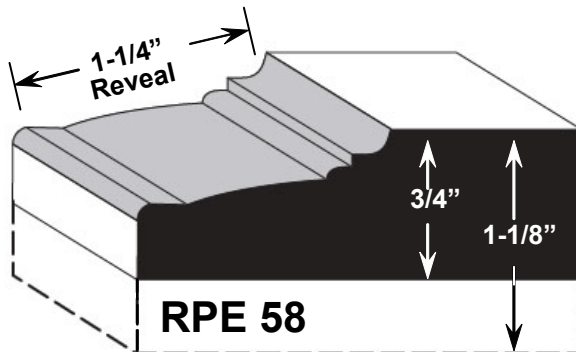
RPE 57 Series



Also Available: 1" & 1-1/2" Reveal
RPE 57-1 & RPE 57-1.5

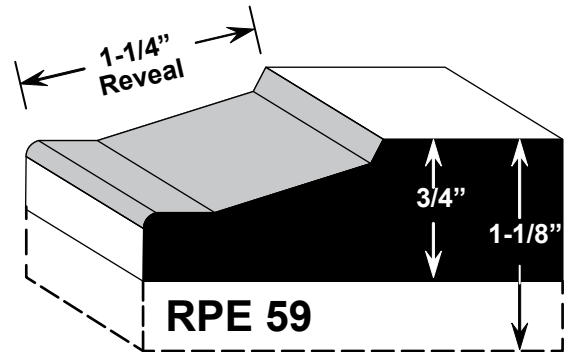
RAISED PANEL EDGES - DRAWER FRONTS

RPE 58 Series



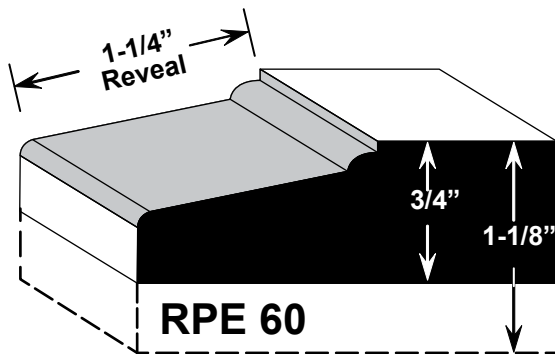
Also Available: 1" & 1-1/2" Reveal
RPE 58-1 & RPE 58-1.5

RPE 59 Series



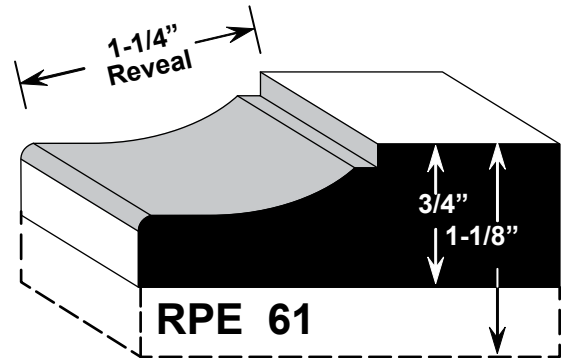
Also Available: 1" & 1-1/2" Reveal
RPE 59-1 & RPE 59-1.5

RPE 60 Series



Also Available: 1" Reveal RPE 60-1

RPE 61 Series



Also Available: 1" Reveal RPE 61-1