

***SECTION H***

***APPLIED MOLDINGS***

# APPLIED MOLDINGS

## Applications & Pricing

Please allow up to an additional 5 day lead time when ordering applied molding doors and drawer fronts.

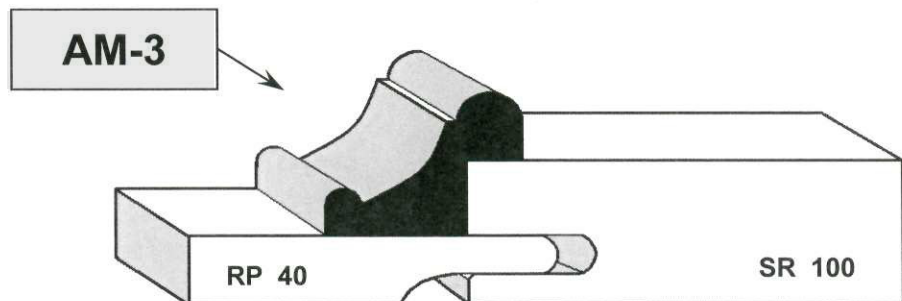
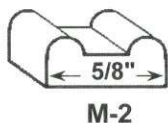
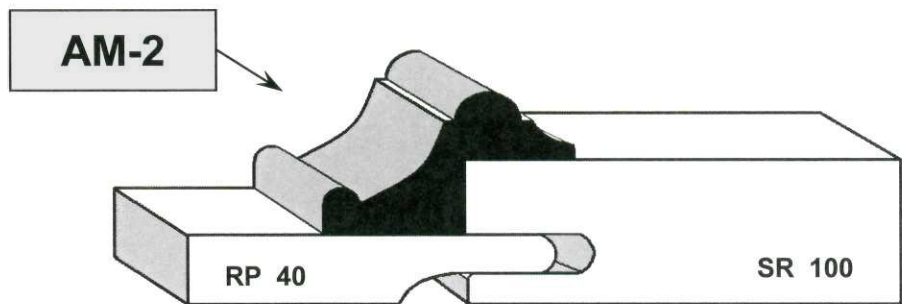
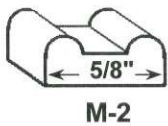
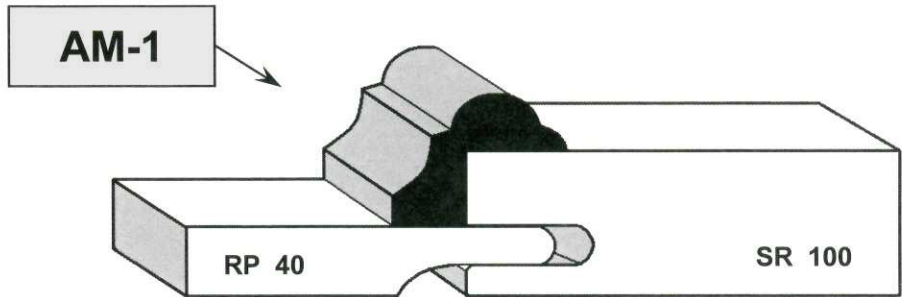
### Applied Molding Pricing:

Price for all installed applied molding:	\$11.00 per square foot (any specie)
Price for all applied molding stock:	\$4.00 per foot
Fill nail holes:	Add 15%
Radius or Curved applied molding:	Design charge of \$125.00 each

### For Calculating Cost for Applied Molding:

- 1) Calculate the square foot price of the door.
- 2) Add \$11.00 per square foot for the additional cost for the applied molding.

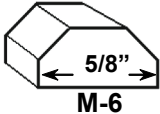
Matching  
Mullion Profiles



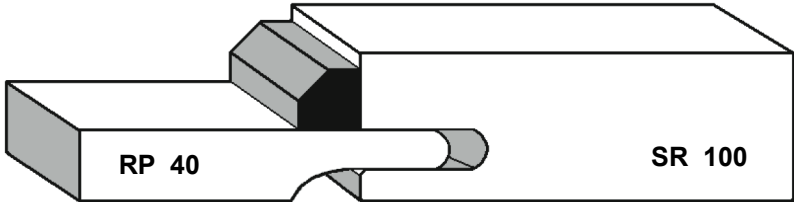
H-1

# APPLIED MOLDINGS

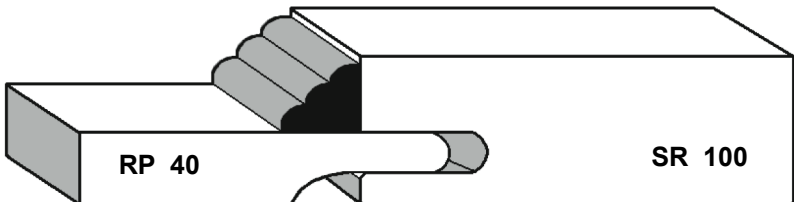
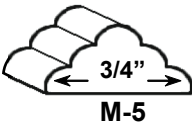
## Matching Mullion Profiles



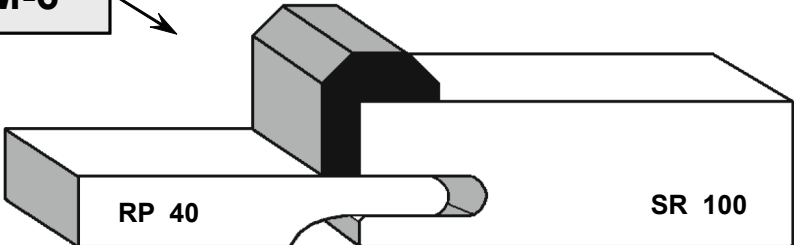
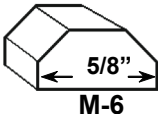
AM-4



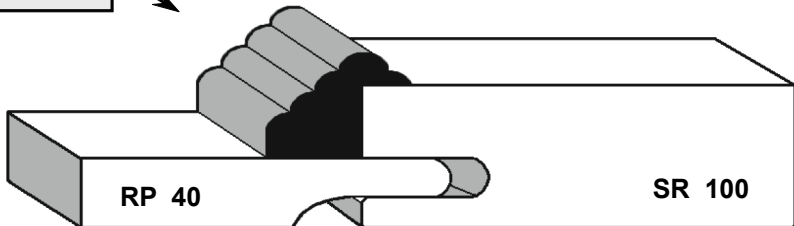
AM-5



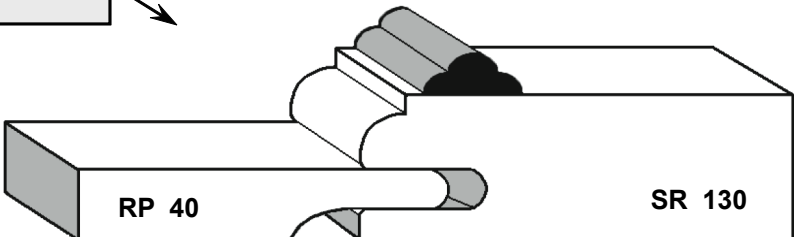
AM-6



AM-7



AM-8

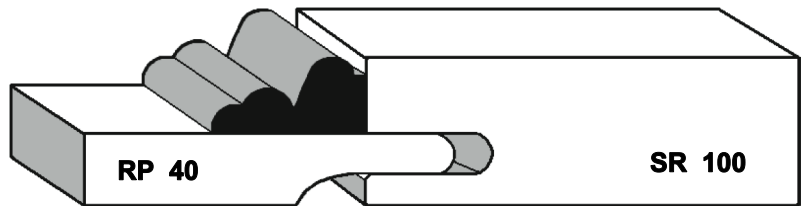


H-2

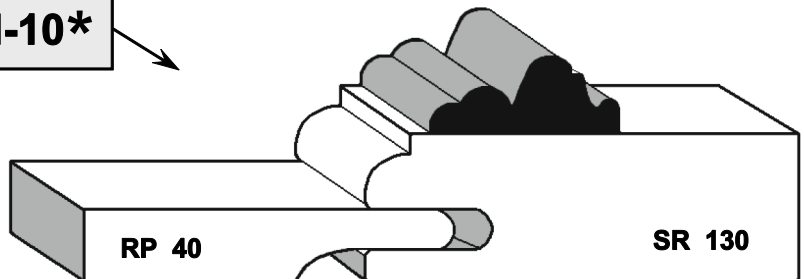
# APPLIED MOLDINGS

Matching Mullion Profiles

AM-9

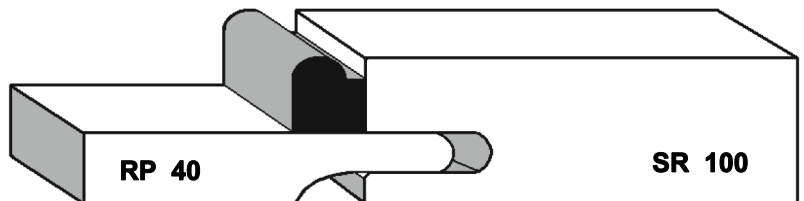


AM-10\*



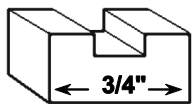
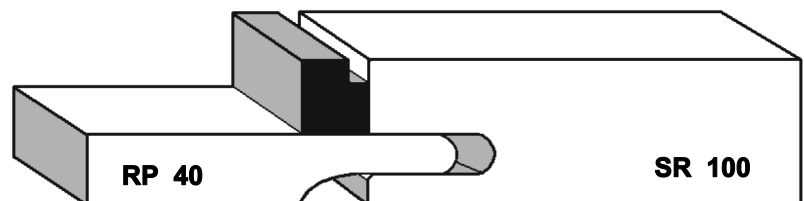
\* The AM-10 requires a 4" wide mid rail and/or mid mullion on multiple panel doors

AM-11



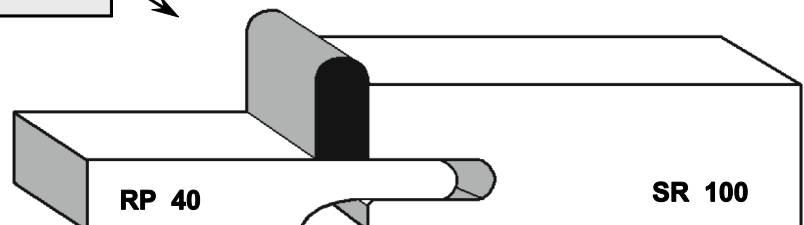
M-11

AM-12



M-12

AM-13

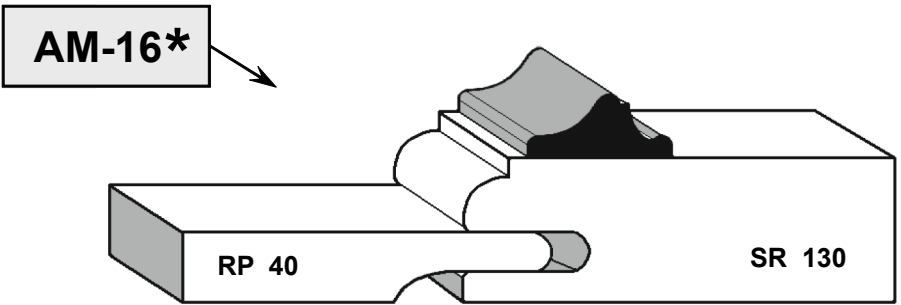
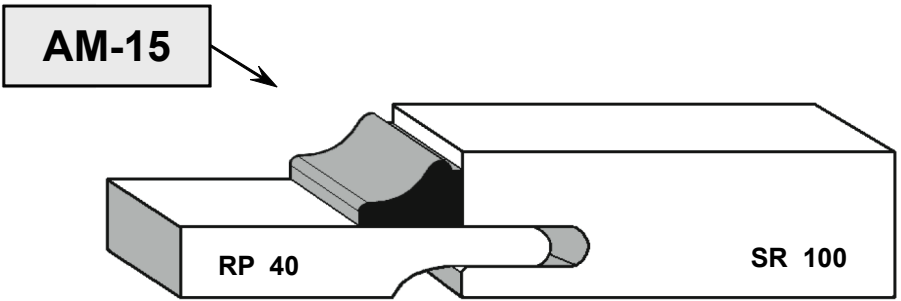
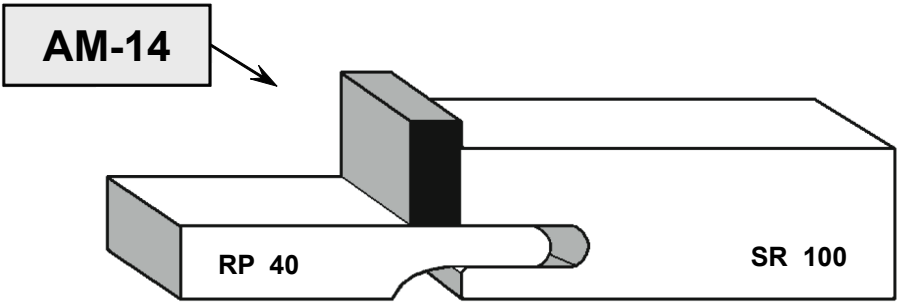
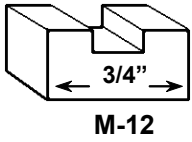


M-11

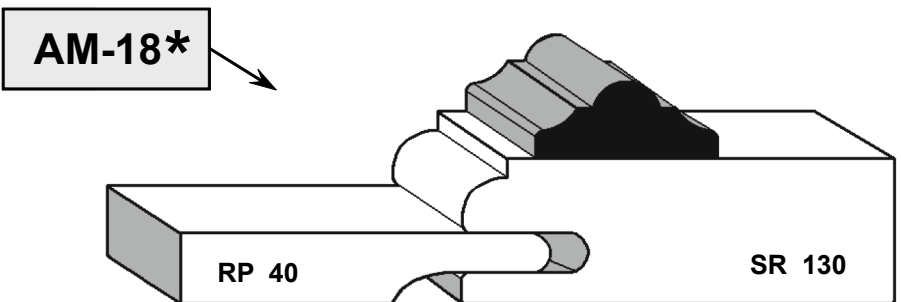
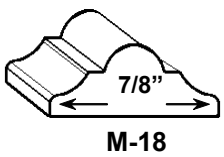
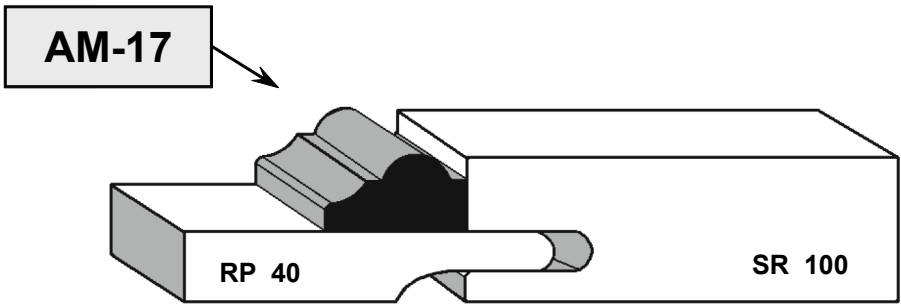
H-3

# APPLIED MOLDINGS

Matching Mullion Profiles



\* The AM-16 requires a 4" wide mid rail and/or mid mullion on multiple panel doors



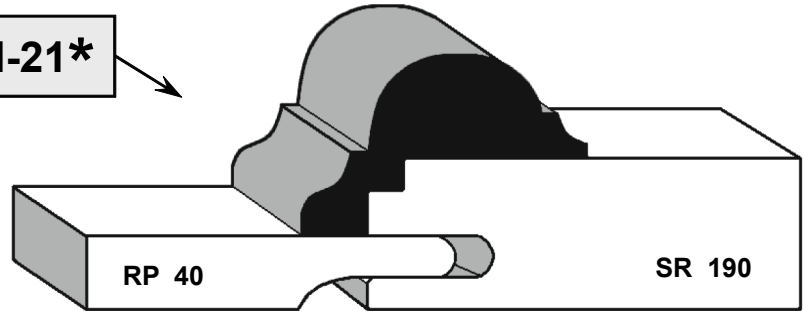
\* The AM-18 requires a 4" wide mid rail and/or mid mullion on multiple panel doors

# APPLIED MOLDINGS

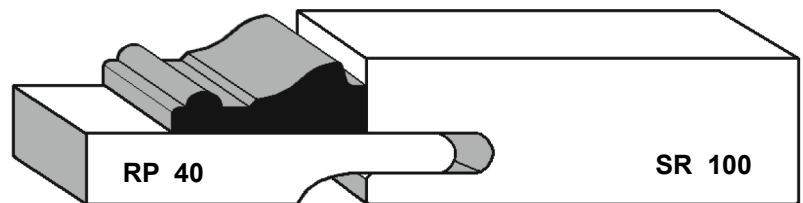
## Matching Mullion Profiles

\* The AM-21 requires a 4-1/2" wide mid rail and/or mid mullion on multiple panel doors

**AM-21\***

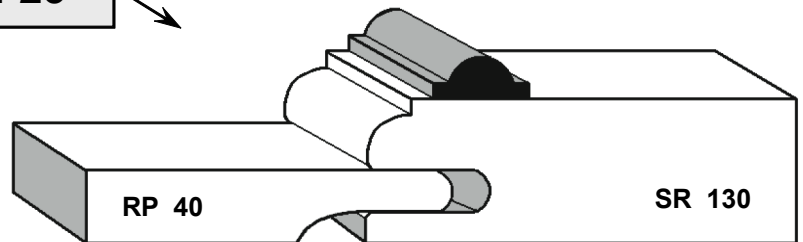


**AM-22**

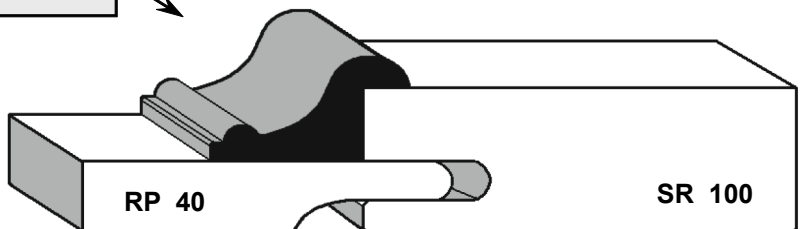


**AM-23\***

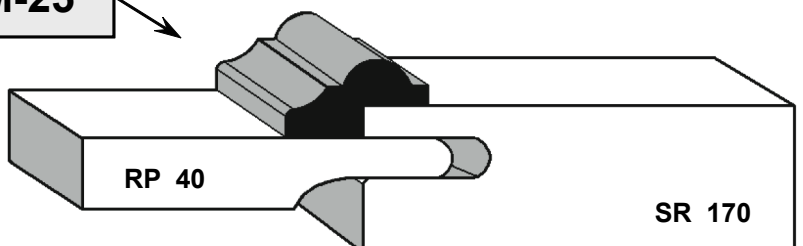
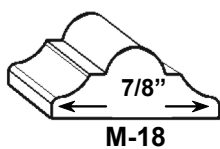
\* The AM-23 requires a 3-1/2" wide mid rail and/or mid mullion on multiple panel doors



**AM-24**



**AM-25**

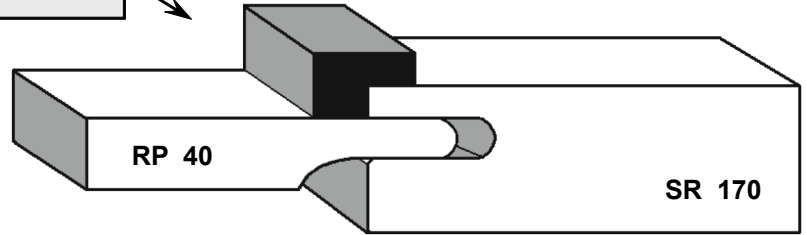


**H-5**

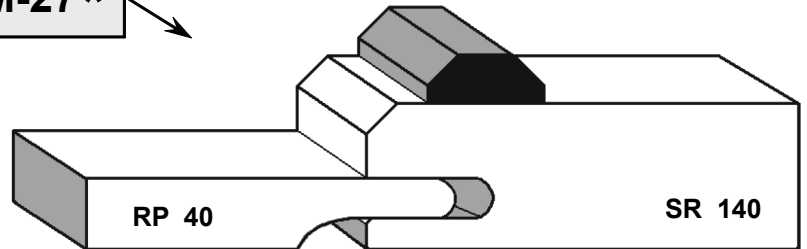
# APPLIED MOLDINGS

Matching Mullion Profiles

AM-26

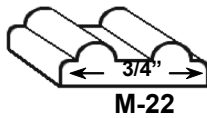
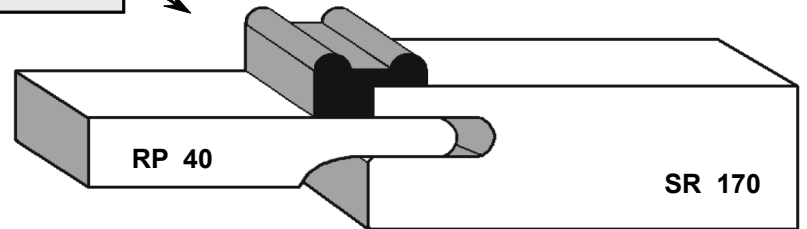


AM-27\*

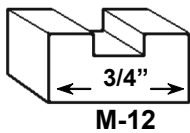
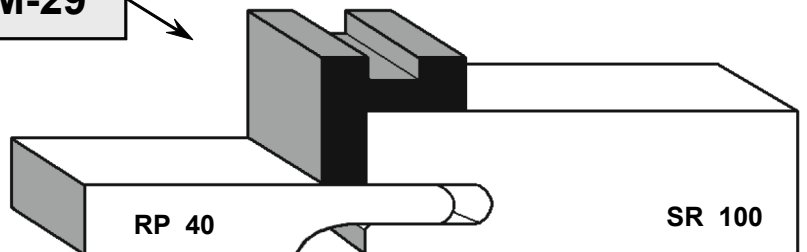


\* The AM-27 requires a 4" wide mid rail and/or mid mullion on multiple panel doors

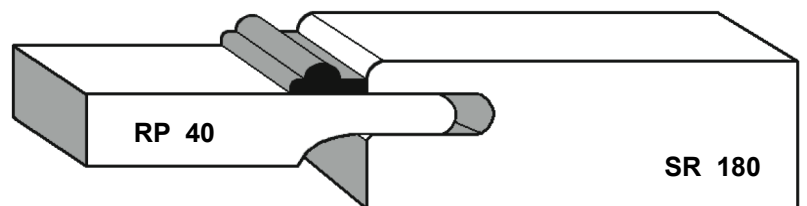
AM-28



AM-29



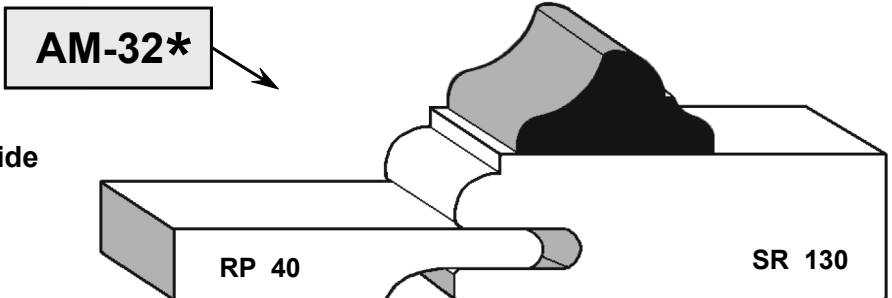
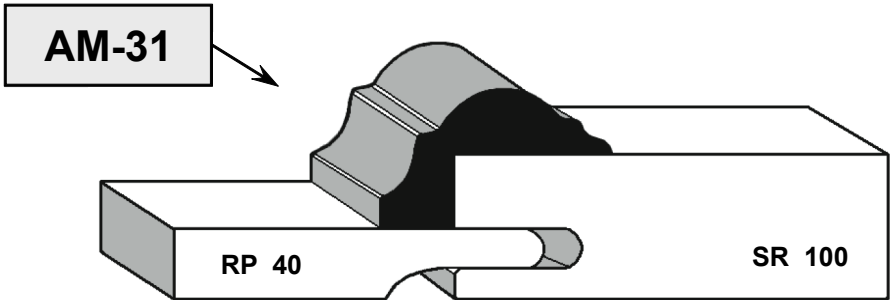
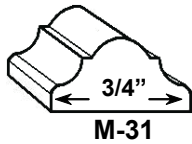
AM-30



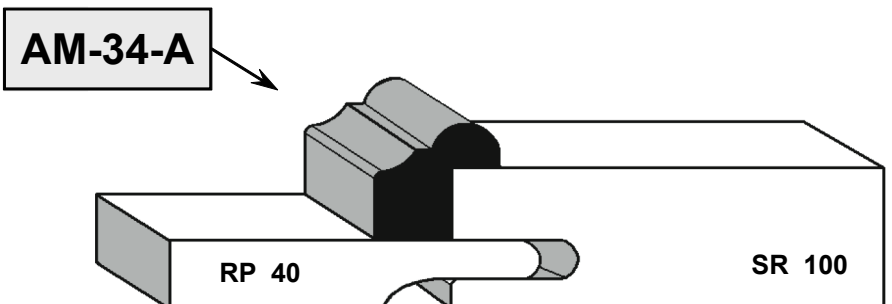
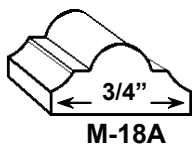
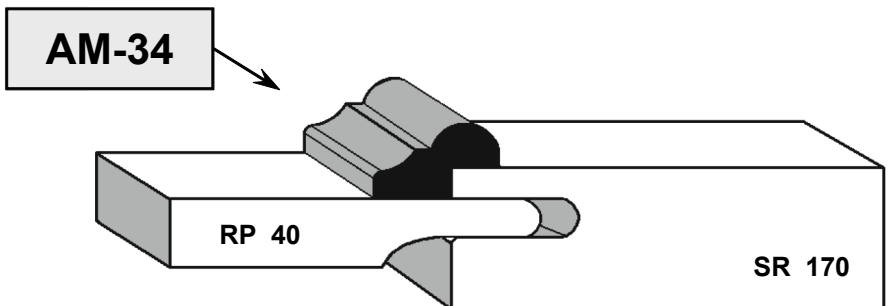
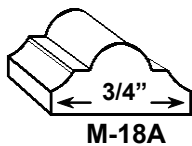
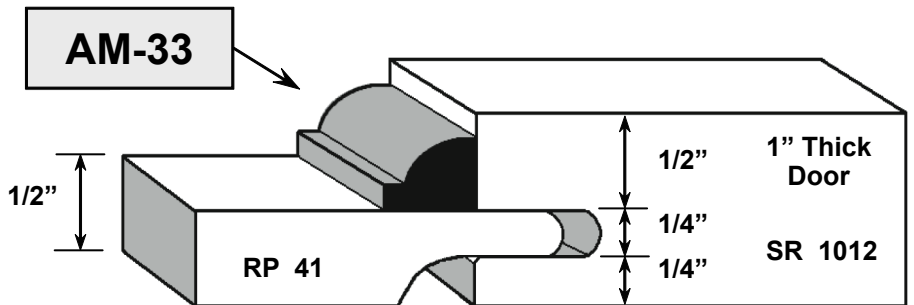
H-6

# APPLIED MOLDINGS

## Matching Mullion Profiles



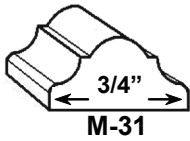
\* The AM-32 requires a 4-1/2" wide mid rail and/or mid mullion on multiple panel doors



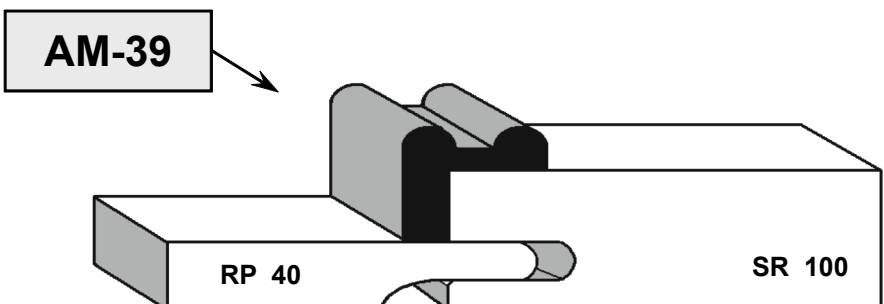
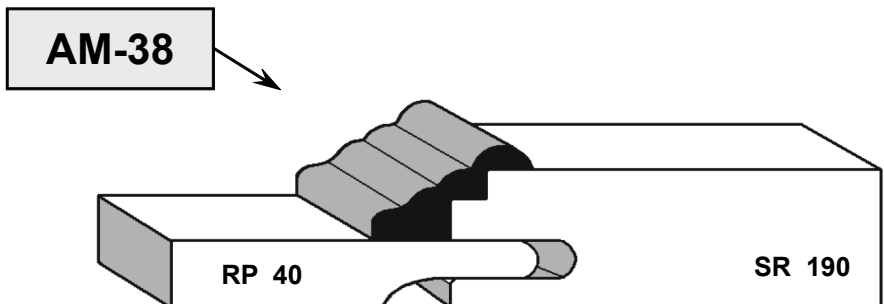
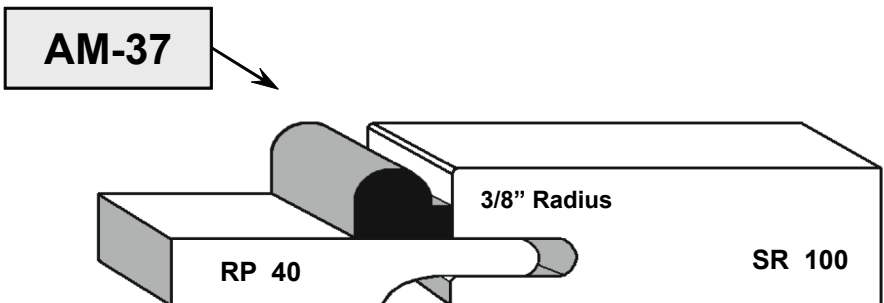
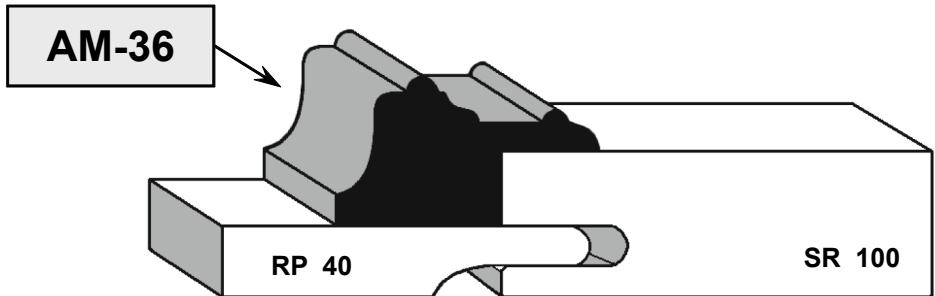
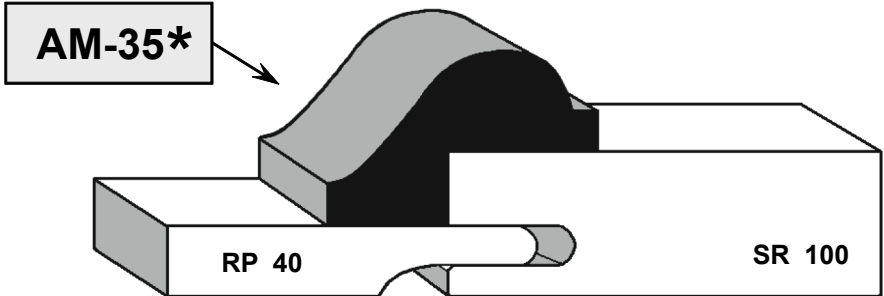
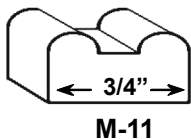
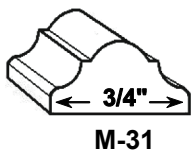
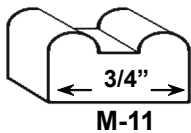
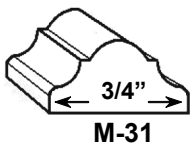


# APPLIED MOLDINGS

Matching Mullion Profiles

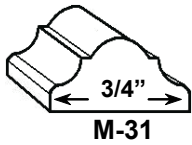


\* The AM-35 requires a 3" wide mid rail and/or mid mullion on multiple panel doors



# APPLIED MOLDINGS

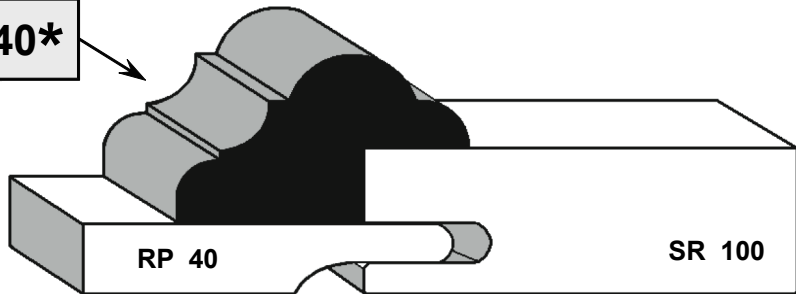
Matching Mullion Profiles



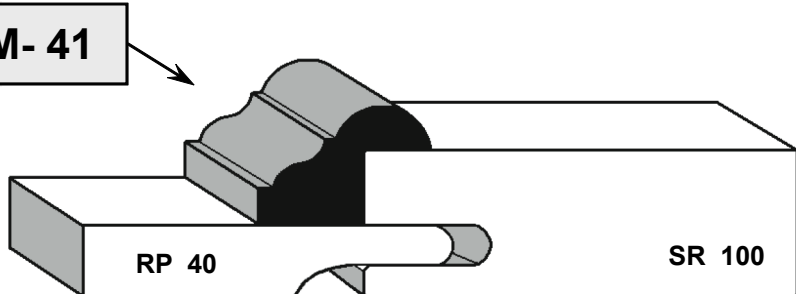
\* The AM-40 requires a 3" wide mid rail and/or mid mullion on multiple panel doors



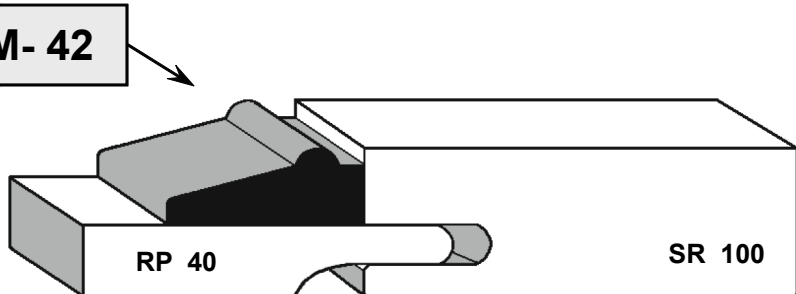
AM- 40\*



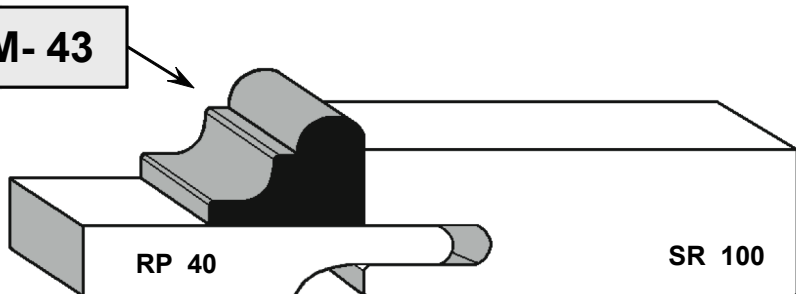
AM- 41



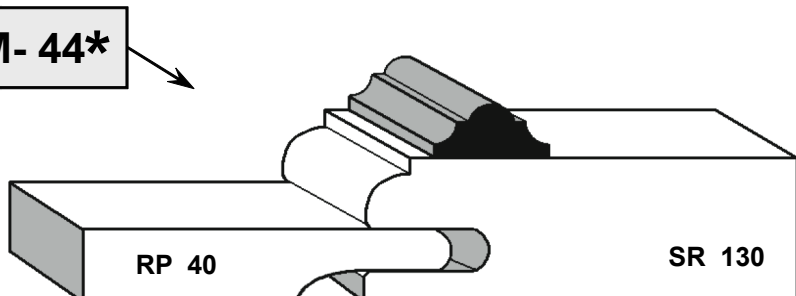
AM- 42



AM- 43



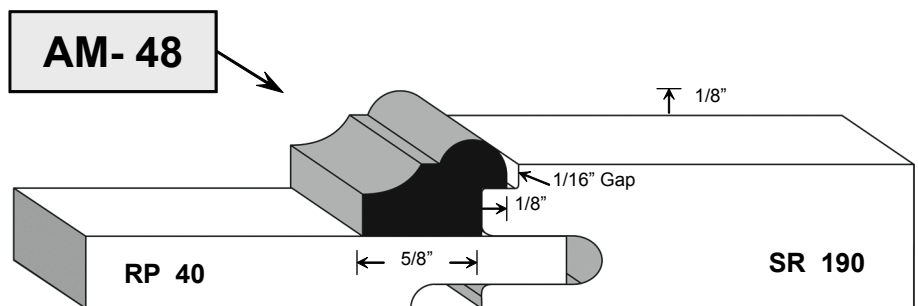
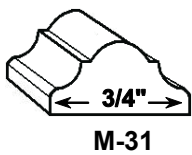
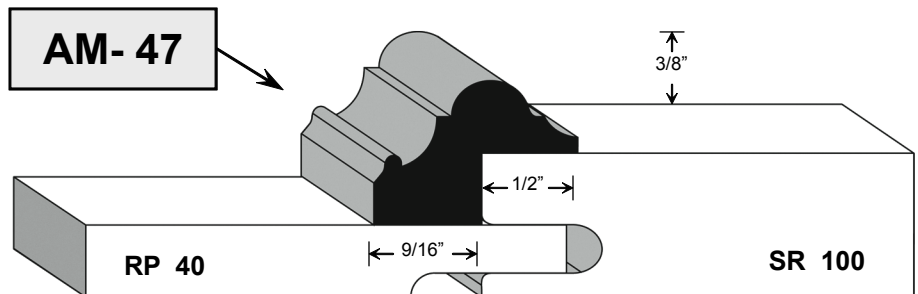
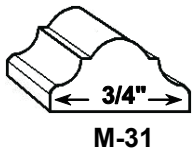
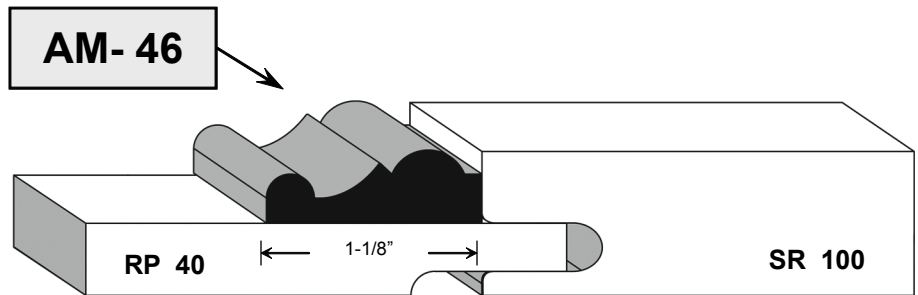
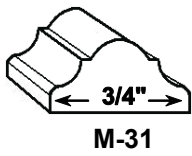
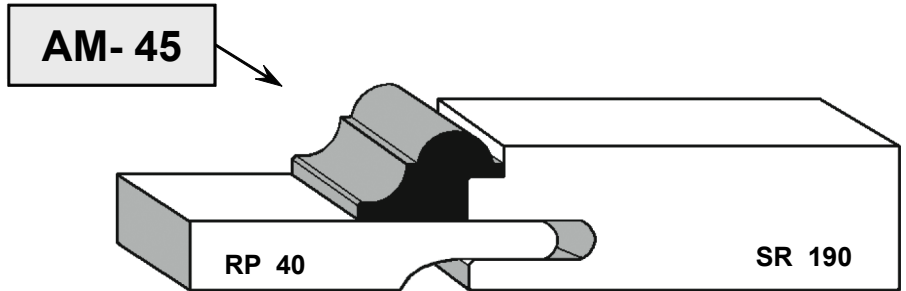
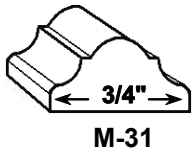
AM- 44\*



\* The AM-44 requires a 3-1/2" wide mid rail and/or mid mullion on multiple panel doors

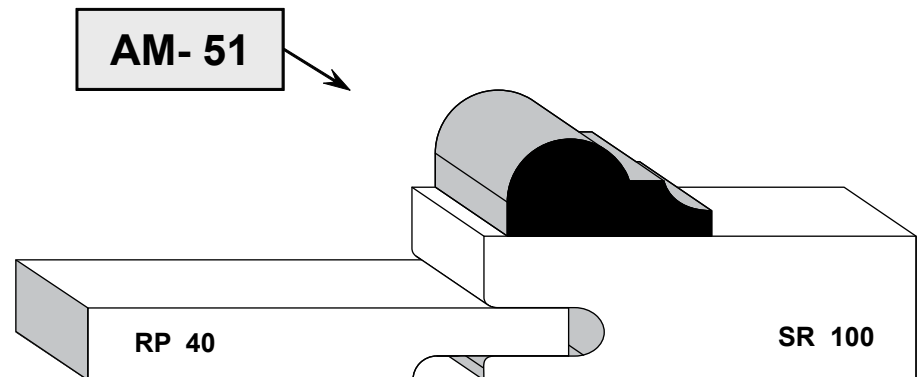
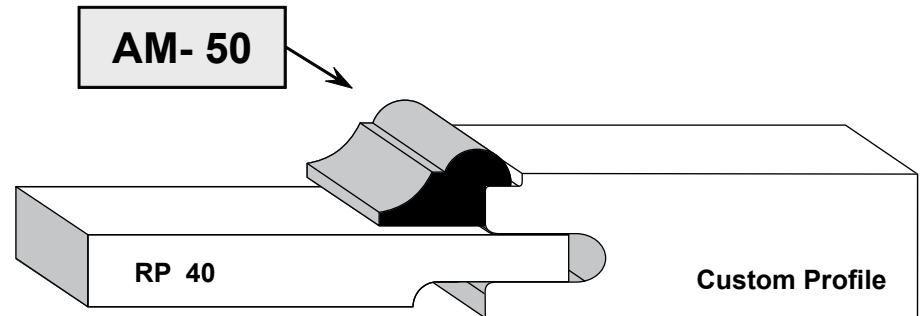
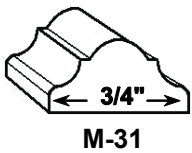
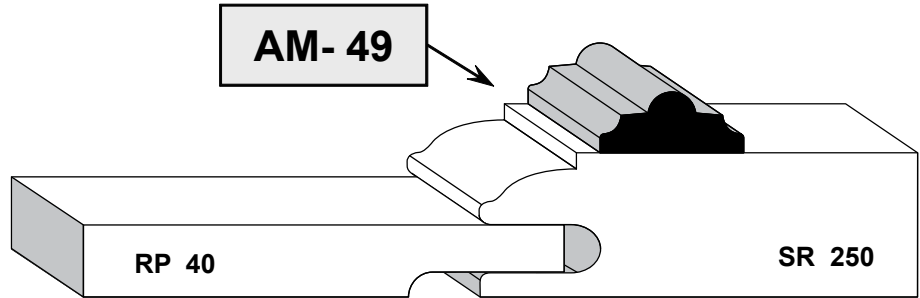
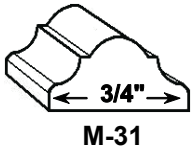
# APPLIED MOLDINGS

Matching Mullion Profiles



# APPLIED MOLDINGS

Matching  
Mullion Profiles



# APPLIED ROPE MOLDINGS

## Application & Pricing

\*Please allow up to an additional 5 day lead time when ordering applied rope molding doors.

### Applied Rope Molding Pricing:

Price for all installed applied rope molding: \$12.00 per square foot (any specie)

The price for both Half Round and Quarter Round are the same

When ordering, please indicate either Half Round or Quarter Round

Available in Alder, Cherry, Hickory, Maple, Red Oak, Pine and Poplar



Half Round



Quarter Round

**RM- 1/4**

1/4" Rope Molding



Available in Half Round only

**RM- 3/8**

3/8" Rope Molding



Half Round

5/16"



Quarter Round

**RM- 1/2**

1/2" Rope Molding



Half Round

3/8"



Quarter Round

**RM- 3/4**

3/4" Rope Molding



Half Round

1/2"



Quarter Round

# APPLIED ROPE MOLDINGS

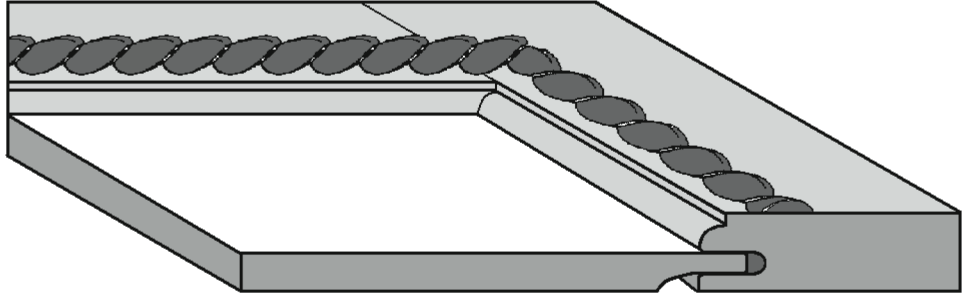
## Applications

Below are examples rope molding applications.

When ordering, please indicate the type of application referencing the style designation.

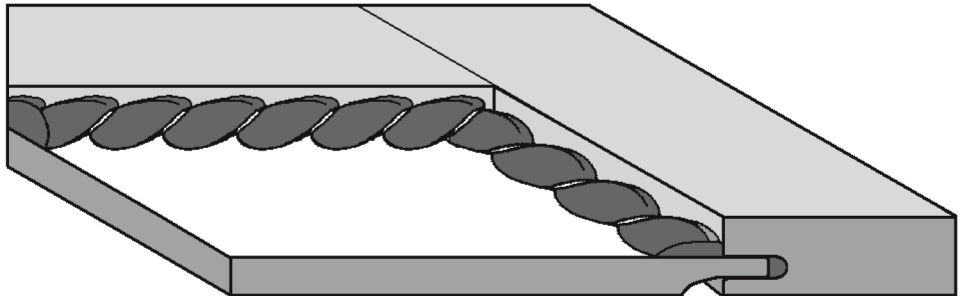
**ARM- 1**

Face applied  
with mitered corners  
Half Round Only



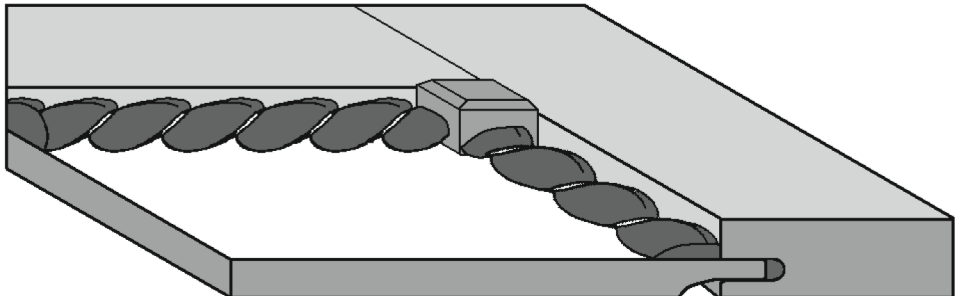
**ARM- 2**

Inside applied  
with mitered corners  
Half Round  
& Quarter Round



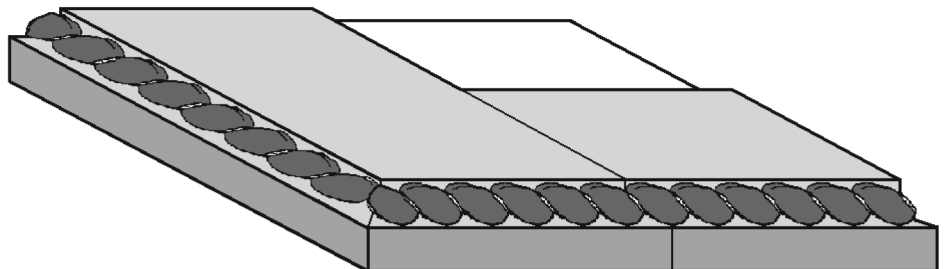
**ARM- 2**

Inside applied  
with Corner Blocks  
Half Round  
& Quarter Round  
Corner Blocks: \$5.00 each



**ARM- 3**

Outside edge applied  
with mitered corners  
Half Round &  
Quarter Round



Style charge for outside rope shelf :  
.10¢ per lineal inch