

SECTION J

APPLIANCE PANELS

APPLIANCE PANELS

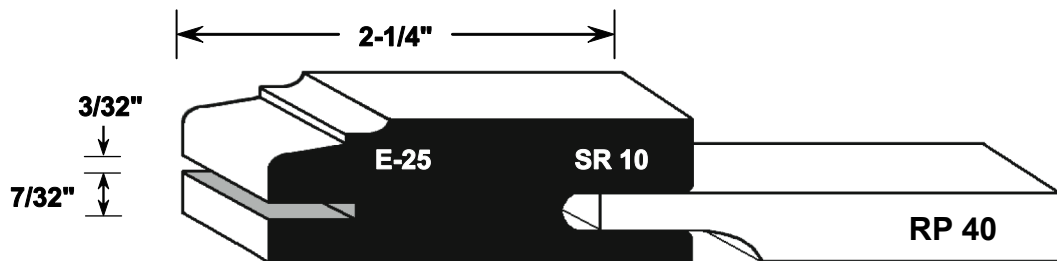
Applications & Pricing

Appliance Panels can be constructed from any door styles.

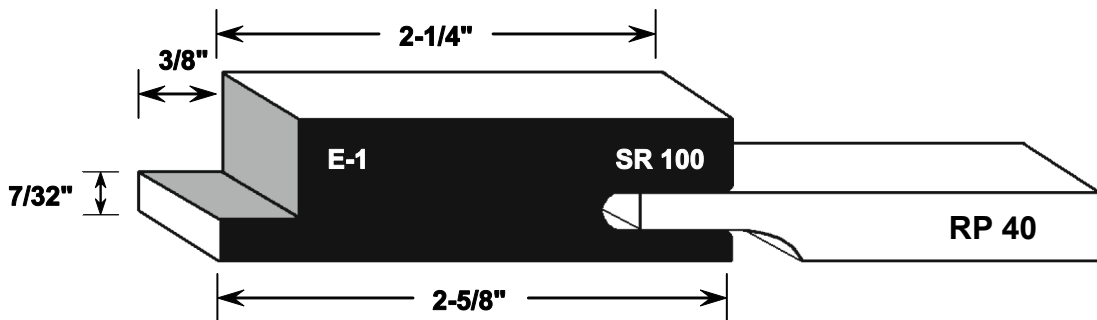
Determine the mounting application required for your appliance and choose from the outside edge details below (the APL) for your appliance panel.

APL Pricing: Standard door pricing plus a style charge of \$15 per appliance panel

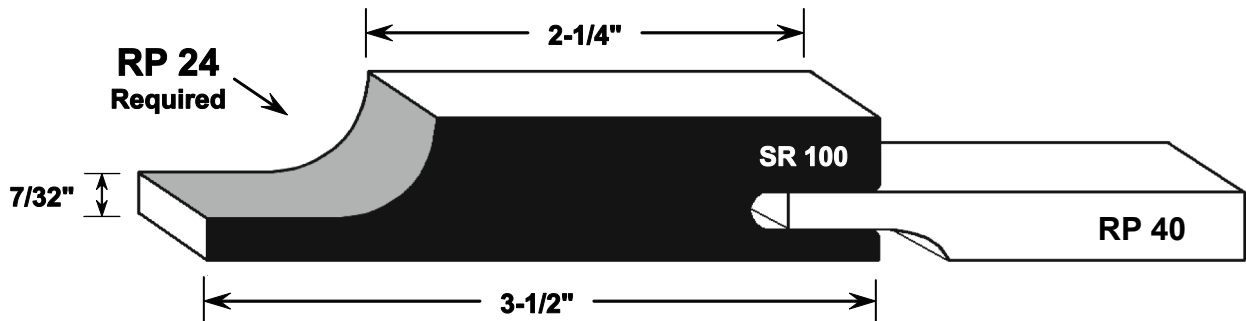
EDGE DETAIL APL-1



EDGE DETAIL APL-2



EDGE DETAIL APL-3



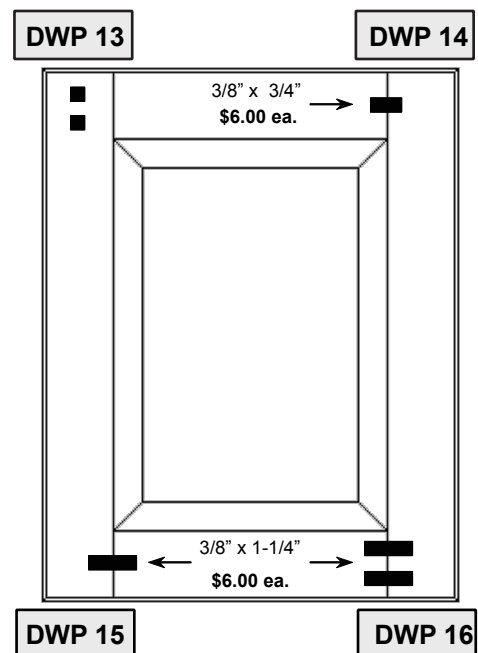
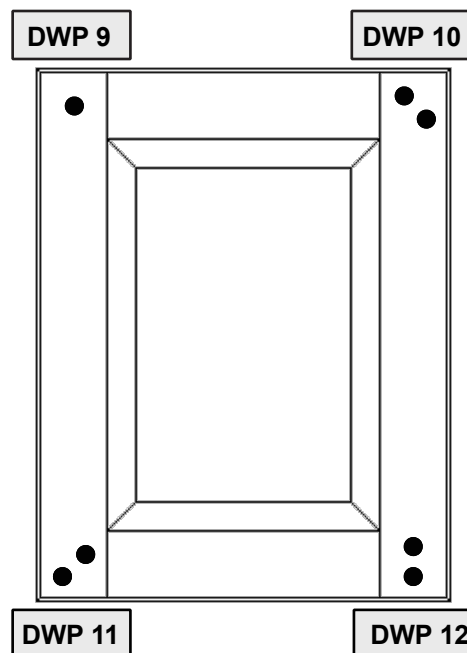
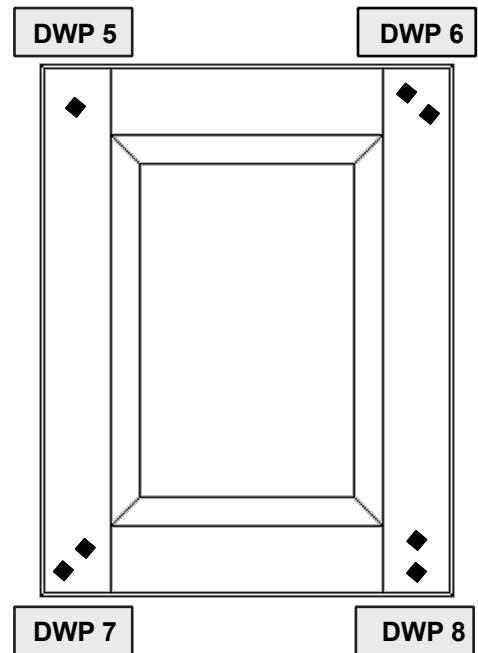
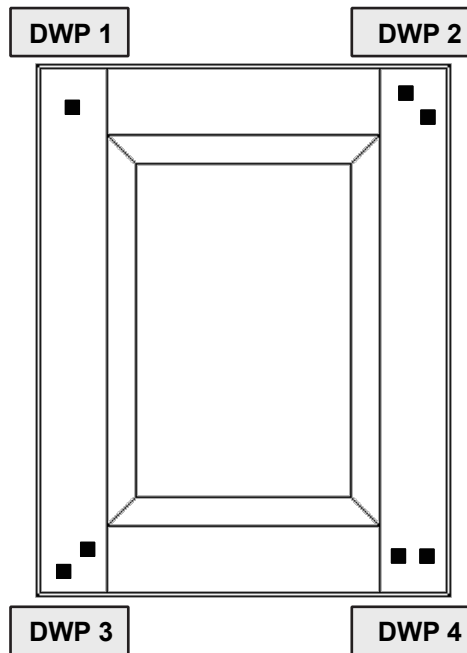
DECORATIVE WOOD PEGS

Applications & Pricing

Decorative Wood Pegs (the DWP) is available in all wood species. The pegs are cross grain and visible only on the front side of the door. The standard DWP size is 3/8". 1/2" is also available upon request.

Below are various patterns to choose from.

DWP Pricing: \$4.00 per peg.



RADIUS OUTSIDE CORNERS

Applications & Pricing

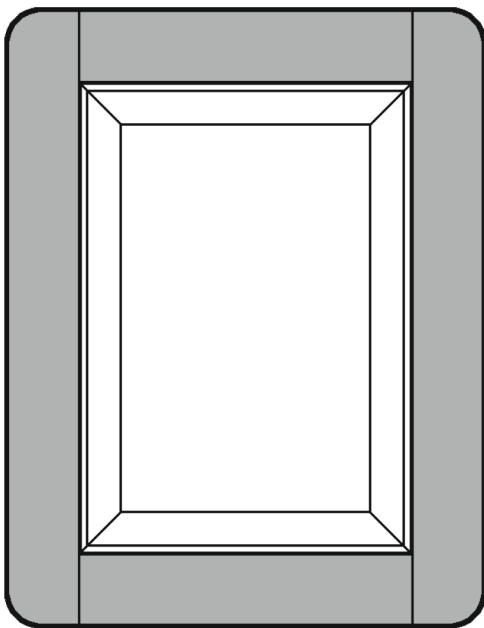
Outside Radius Corners Option

Below are scale drawings of the outside radius corners available.
Outside radius corners are limited to the following outside edge profiles:

E-1, E-2, E-3, E-4, E-5, E-6, E-7, E-43

Pricing

Add \$8.00 per door.



Style 1000

Style 1000 with
RC 1" Radius Corners

