

SECTION J

APPLIANCE PANELS

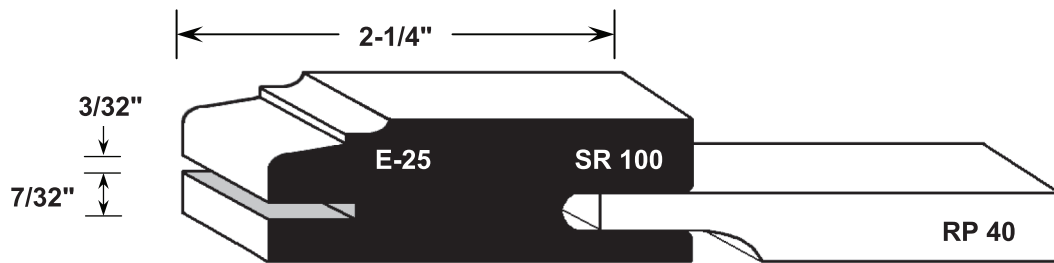
APPLIANCE PANELS

Application & Pricing

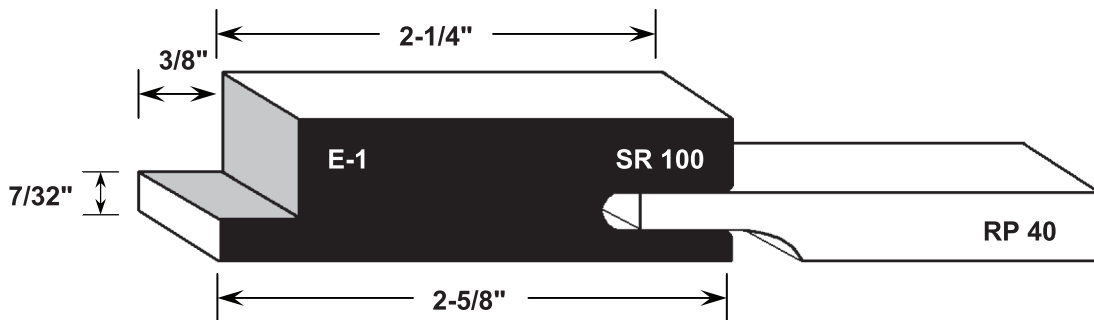
Appliance Panels can be constructed from any of our door styles.
Determine the mounting application required for your appliance and
choose from the outside edge details below (the APL) for your appliance panel.

APL Pricing: Standard door pricing plus a style charge of \$15.00 per appliance panel.

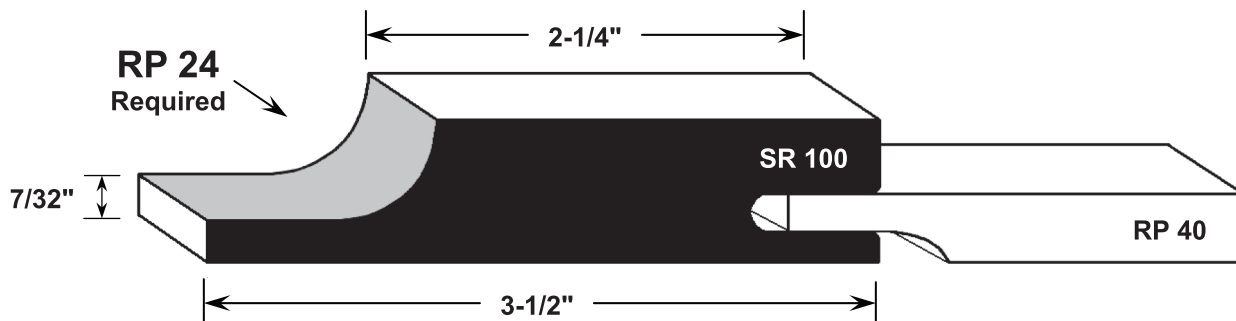
Edge Detail APL-1



Edge Detail APL-2



Edge Detail APL-3



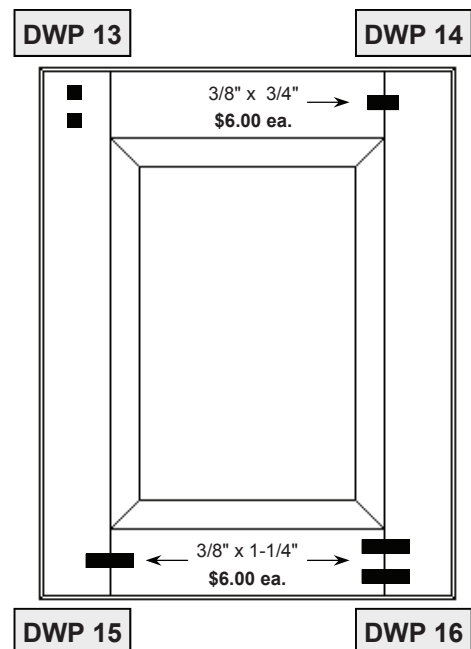
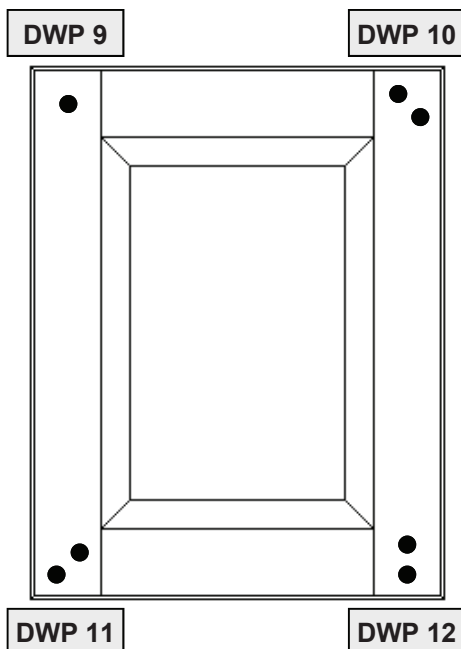
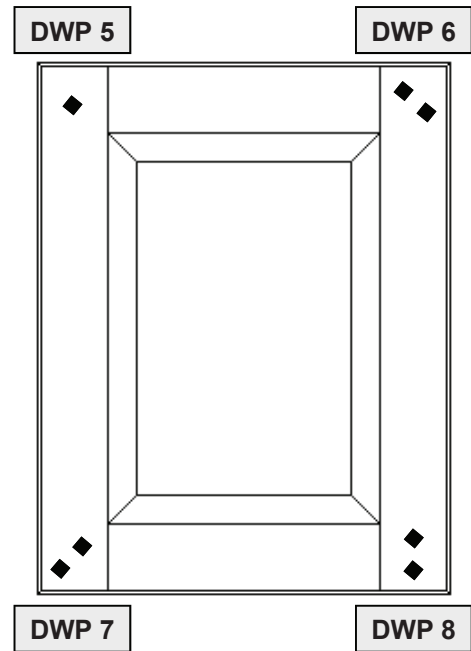
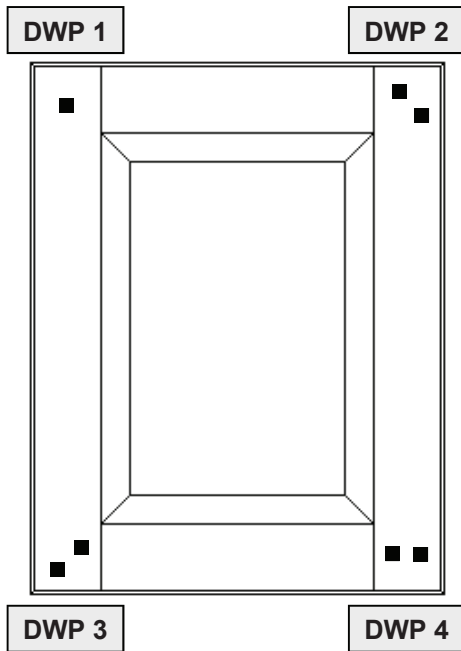
DECORATIVE WOOD PEGS

Application & Pricing

Inlaid Decorative Wood Pegs (the DWP) is available in all wood species. The pegs are cross grain and visible only on the front side of the door. The standard DWP size is 3/8". 1/2" is also available upon request.

Below are various patterns to choose from.

DWP Pricing: \$4.00 per peg.



RADIUS OUTSIDE CORNERS

Application & Pricing

Outside Radius Corners Option

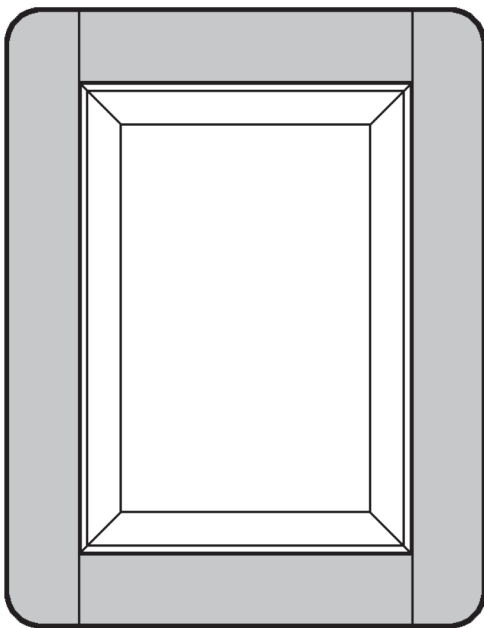
Below are scale drawings of the outside radius corners available.

Outside radius corners are limited to the following outside edge profiles:

E-1, E-2, E-3, E-4, E-5, E-6, E-7, E-43

Pricing

Add \$8.00 per door.



Style 1000

Style 1000 with
RC 1" Radius Corners

